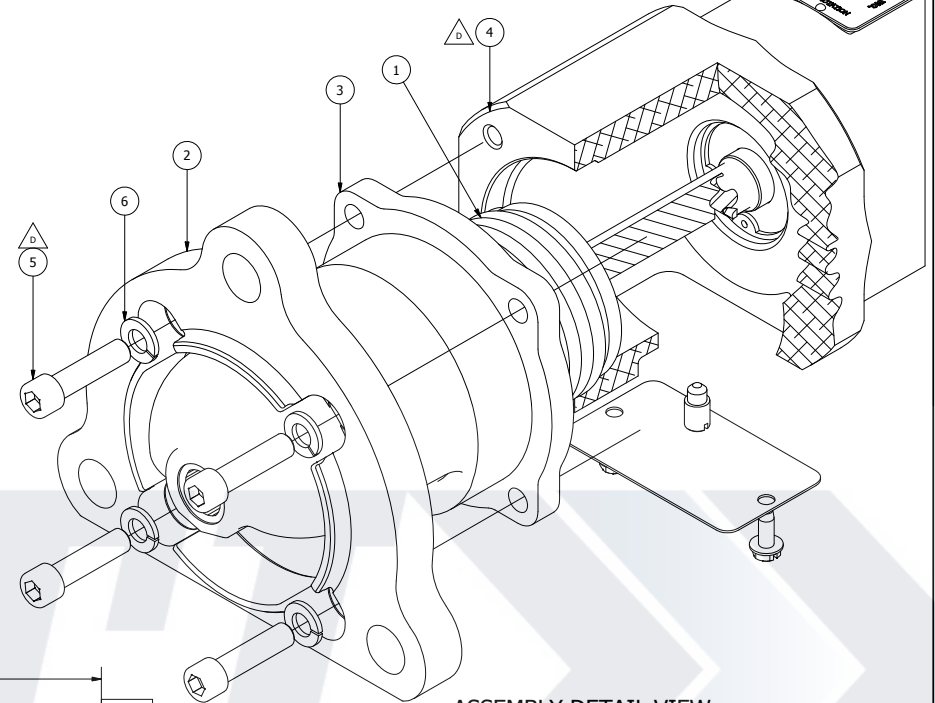
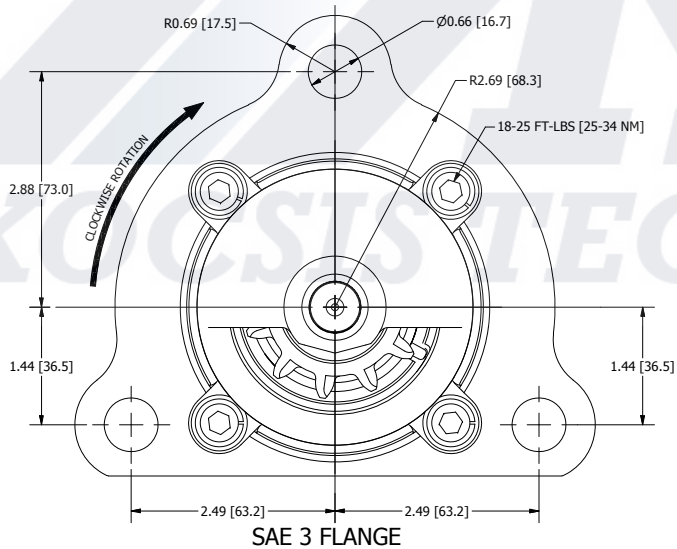
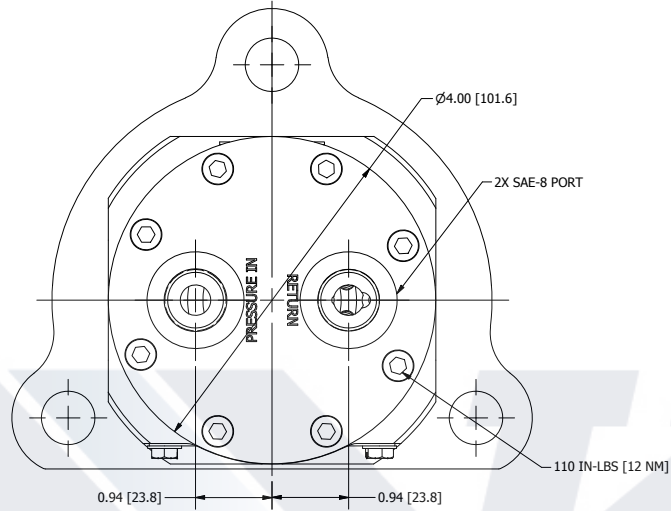
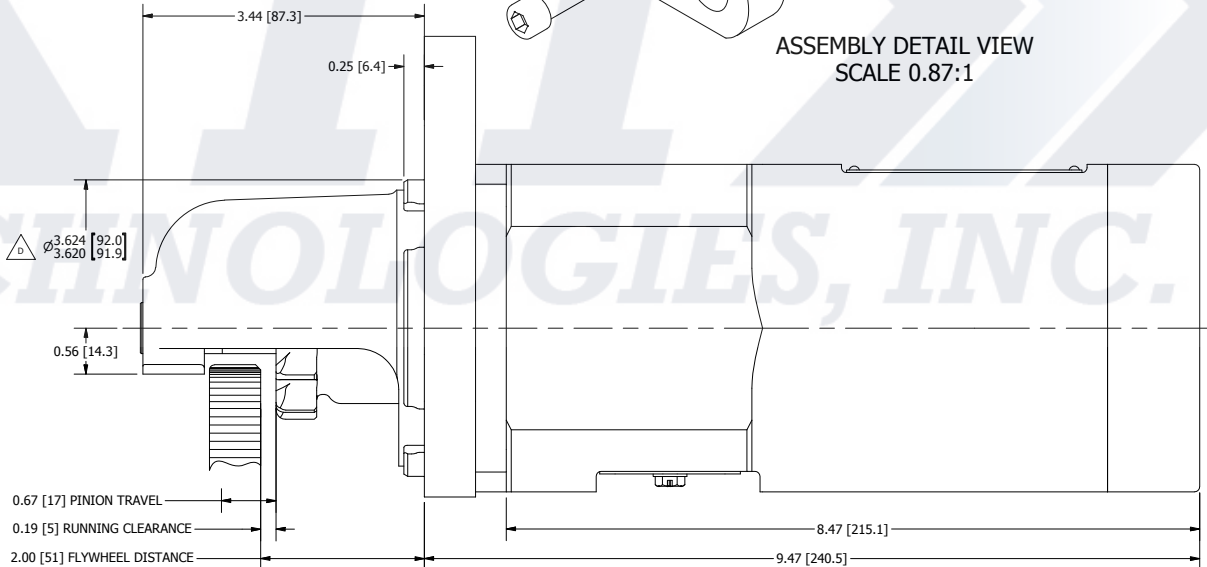


PARTS LIST			
ITEM	QTY	PART NUMBER	DESCRIPTION
1	1	DV-206686	DRIVE ASSEMBLY (CW)
2	1	FL-200545	MOUNTING FLANGE - SAE 3
3	1	HG-200541	PINION HOUSING ASSEMBLY - A/B SERIES
4	1	HM-200584	HYDRAULIC MOTOR ASSEMBLY - CW
5	4	SC-100196	SOCKET HEAD CAP SCREW
6	4	WA-6-10BL	LOCK WASHER

REVISIONS		
REV	DESCRIPTION	DATE
D	SEE ECH	8/21/2013



ASSEMBLY DETAIL VIEW
SCALE 0.87:1



UNLESS OTHERWISE SPECIFIED:

TOLERANCES:

0.X = ±
0.XX = ±
0.XXX = ±
ANGLES = ±
FINISH =
FRACTION = ±

INDICATES REFERENCE TO A NOTE
INDICATES REFERENCE TO A REVISION
INDICATES REFERENCE TO BOM
DIMENSIONS NOT SHOWN DO NOT APPLY

TOLERANCE PROJECTION:

REMOVE ALL BURRS; BREAK SHARP EDGES R0.03 MAX
INTERPRET DIMENSIONS AND TOLERANCES IN INCHES UNLESS OTHERWISE SPECIFIED.
ALL DIMENSIONS IN INCHES UNLESS OTHERWISE SPECIFIED.
METRIC DIMENSIONS ARE INDICATED BY []



HYDROTOR® ASSEMBLY

PART NUMBER: B1-11C2183-3A200
REV: D

MATERIAL: SEE PARTS LIST
SCALE: NTS WEIGHT: 17.1 LBS CODE:

APPROVED BY: J.KUJAK
DATE: 8/21/2013
SHEET 1 OF 1

CW B SERIES PERFORMANCE DATA	
DISPLACEMENT	1.35 IN ³ /REV [22 CM ³]
DUTY CYCLE	INTERMITTENT
MAX TORQUE	45 FT-LBS [61 Nm]
MAX WORKING PRESSURE	3000 PSI [207 BAR]
SPEED RANGE	0-7000 RPM
ROTATION	(CW)

DV-206686 DATA	
NUMBER OF TEETH	11/12
OUTSIDE DIA. (PITCH DIA.)	2.24 [57 mm] 1.83 [46 mm]
PITCH	6/8
PRESSURE ANGLE (ROOT DIA.)	20° 1.69 [43 mm]

ENGINEERING REFERENCE DATA:
1). FIRST USE: DD SERIES 71
2). SIMILAR TO: N/A

THIS DOCUMENT AND ALL ACCOMPANYING INFORMATION AND DATA ARE AND REMAIN THE PROPERTY OF KOCSIS TECHNOLOGIES AND SHALL NOT BE USED, COPIED OR REPRODUCED WITHOUT THE WRITTEN CONSENT OF KOCSIS TECHNOLOGIES. DESIGN AND INVENTION RIGHTS ARE RESERVED.

LEGACY KTI P/N: CWA-308008-B