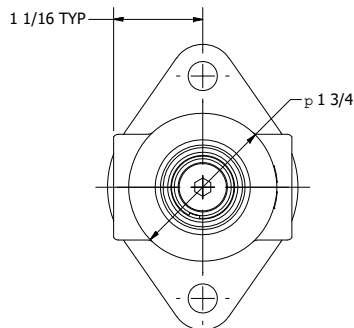
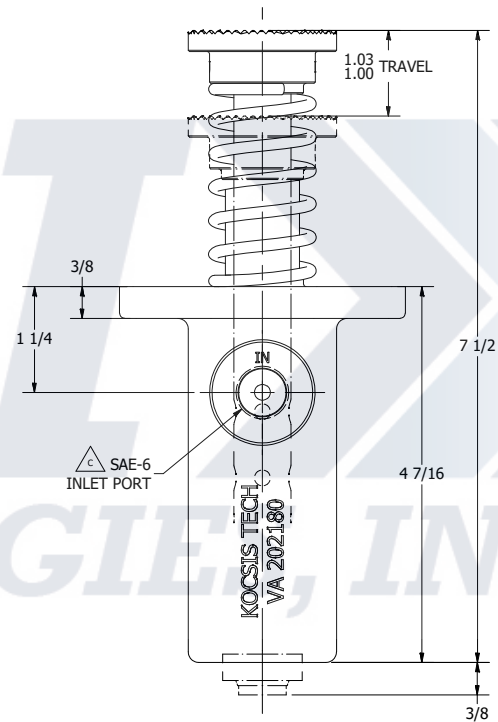
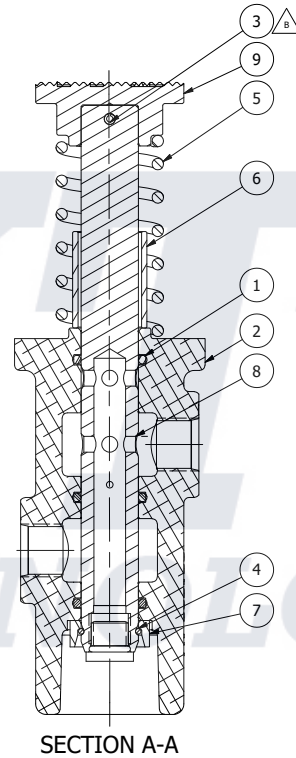
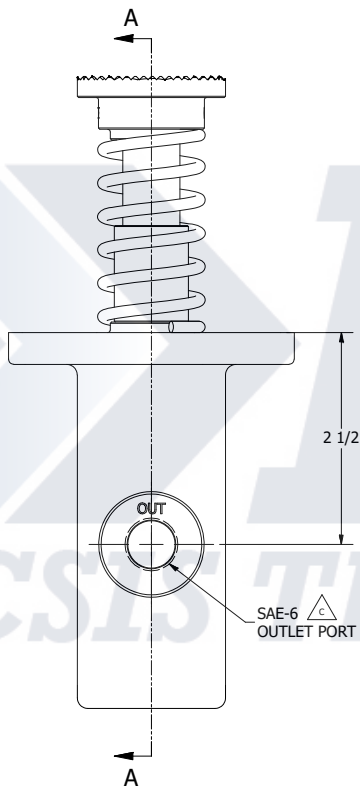
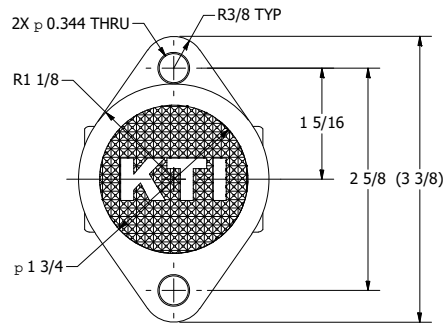



PARTS LIST			
ITEM	QTY	PART NUMBER	DESCRIPTION
1	3	GA-100106	O-RING
2	1	HG-202188	VALVE HOUSING
3	1	PN-100154	SPRING PIN
4	1	RG-100253	SNAP RING
5	1	SP-200943	SPRING
6	1	SR-200952	SPACER
7	1	ST-200942	VALVE STOP
8	1	VA-202181	CONTROL VALVE ASSEMBLY
9	1	KN-208820	PEDAL KNOB

REVISIONS		
REV	DESCRIPTION	DATE
D	SEE ECH	3/9/2016



VA-202180 PERFORMANCE DATA	
HOUSING	ALUMINUM ALLOY
PEDAL	ALUMINUM ALLOY
VALVE	STAINLESS STEEL
VALVE DESIGN	PILOT ORIFICE
CAPACITY	20 GPM
MAXIMUM WORKING PRESSURE	3000 PSI
FORCE ON PEDAL	65 LBS @ 3000 PSI
TEMPERATURE RANGE	-40° F TO +250° F

UNLESS OTHERWISE SPECIFIED:		 KOC SIS TECHNOLOGIES, INC. 11705 SOUTH PULASKI AVENUE • PLEASANT HILL, IL 60453	
TOLERANCES: 0.X = ± 0.XX = ± 0.XXX = ± ANGLES = ± √ FINISH = ± FRACTION = ±			
* REMOVE ALL BURRS; BREAK SHARP EDGES R0.03 MAX * INTERPRET DIMENSIONS AND TOLERANCES: IN=ASME Y14.5 * SURFACE FINISH SHALL BE IN=ASME B-46.1 * ALL DIMENSIONS IN INCHES UNLESS OTHERWISE SPECIFIED. METRIC DIMENSIONS ARE INDICATED BY []		MATERIAL: SEE PARTS LIST SCALE: NTS WEIGHT: 2 LBS CODE:	
<small>THIS DOCUMENT AND ALL ACCOMPANYING INFORMATION AND DATA ARE AND REMAIN THE PROPERTY OF KOC SIS TECHNOLOGIES AND SHALL NOT BE USED, COPIED OR REPRODUCED WITHOUT THE WRITTEN CONSENT OF KOC SIS TECHNOLOGIES. DESIGN AND INVENTION RIGHTS ARE RESERVED.</small>			
<small>APPROVED BY: J.MEDVID</small> <small>DATE: 3/9/2016</small>		<small>FILE NAME: VA-202180.dwg</small> <small>SHEET 1 OF 1</small>	