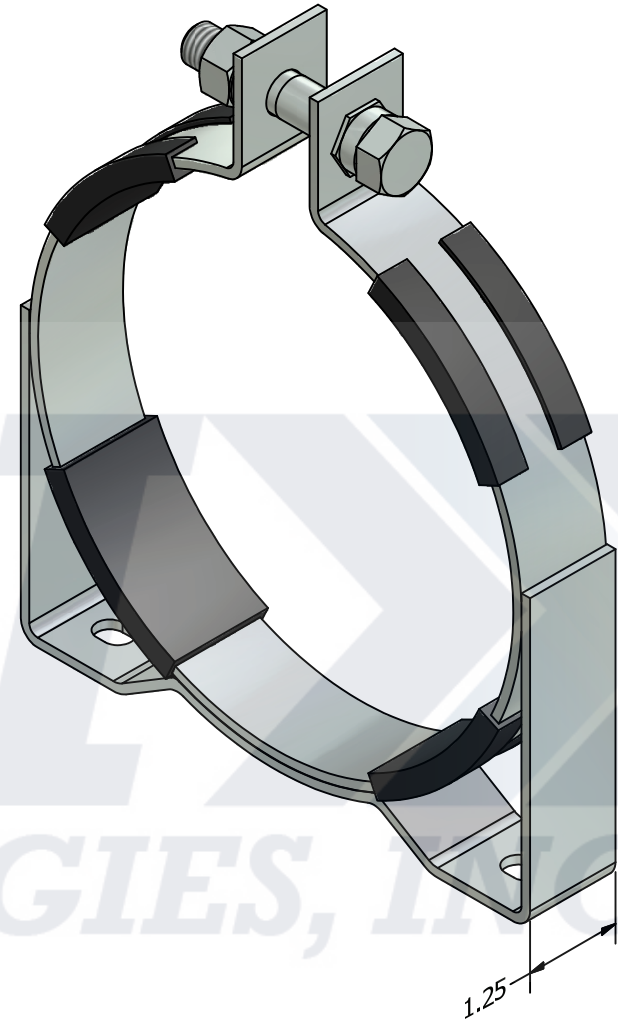
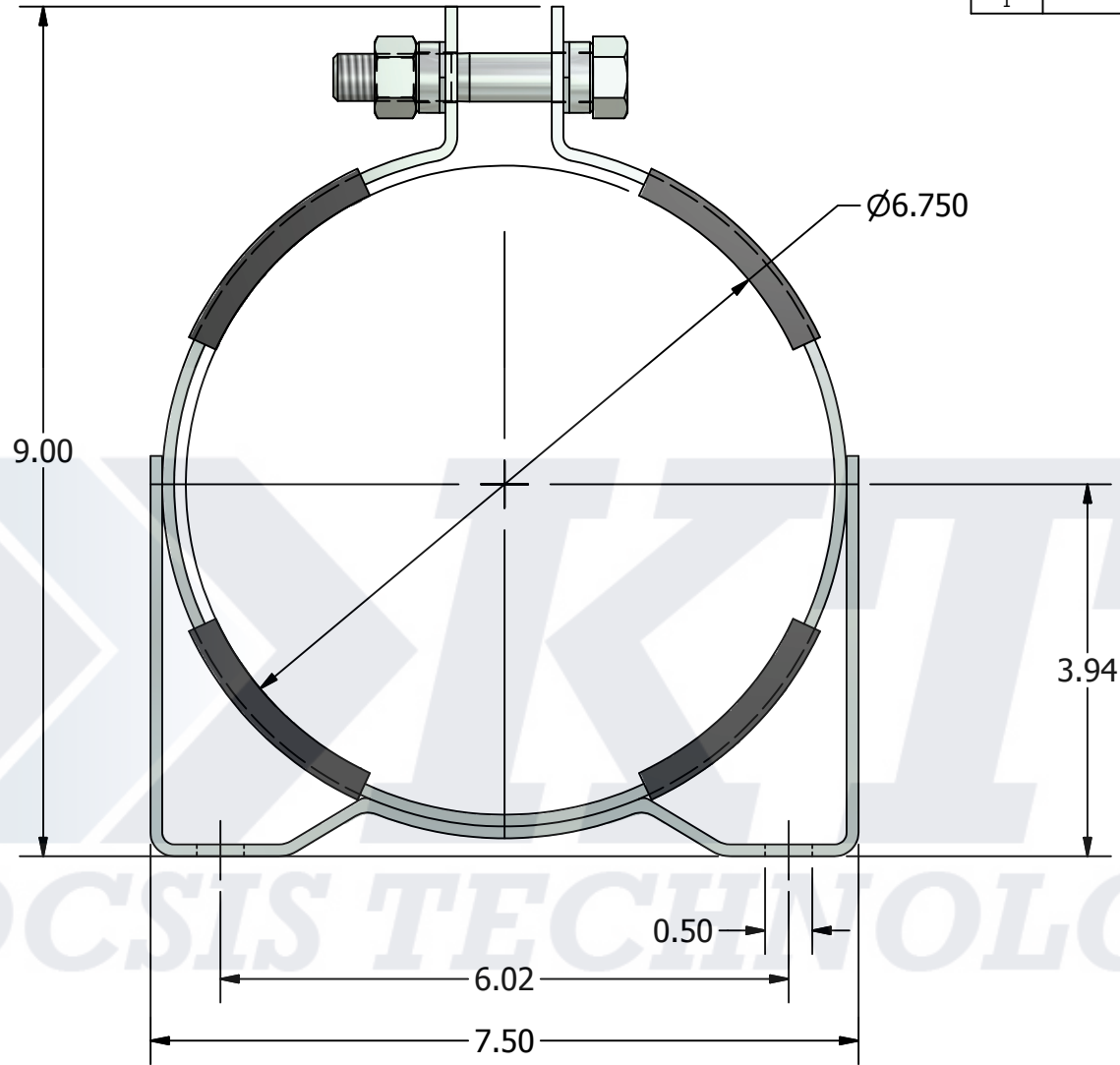


REVISIONS			
REV	DESCRIPTION	DATE	ECN
1	Released to production	01/16/09	



DO NOT SCALE DRAWING

TOLERANCE	X	XX	XXX
mm	±	±	±
INCH	±0.03	±0.010	±0.005
ANGLES	± 1° FINISH 125		

ALL DIMENSIONS IN INCHES UNLESS OTHERWISE SPECIFIED

APPD BY:	DESIGN	MANUF	QC



KOCSIS TECHNOLOGIES, INC.

11755 South Austin Ave. Alsip, IL 60803

Division of Kocsis Brothers Machine Co.

A60 BRACKET

THIS DRAWING AND ALL INFORMATION THEREON IS THE PROPERTY OF KTI AND SHALL NOT BE USED, COPIED OR REPRODUCED WITHOUT THE WRITTEN CONSENT OF KOCSIS TECHNOLOGIES. DESIGN AND INVENTION RIGHTS ARE RESERVED.

DWN BY
TDP

MAT'L

DWG NO.

BK-207670

SCALE 0.5:1

DATE 1/16/2009

SHEET 1 OF 1