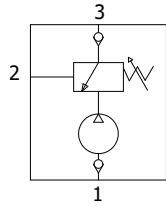
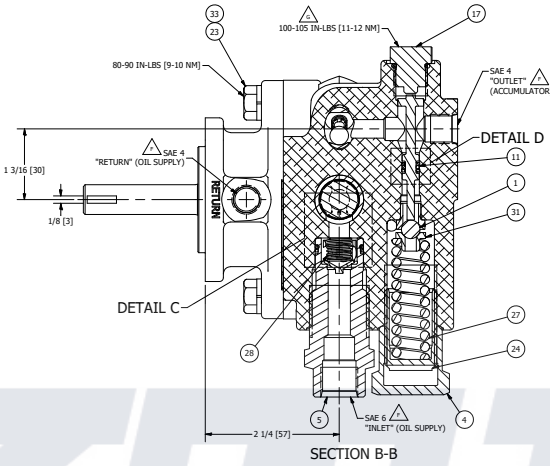


PARTS LIST		
ITEM	QTY	PART NUMBER DESCRIPTION
1	3	BB-100210 BALL BEARING
2	1	BN-100257 NEEDLE BEARING
3	1	BN-208714 NEEDLE ROLLER BEARING
4	1	CP-202659 UNLOADING VALVE CAP
5	1	FL-202617 INLET FITTING
6	1	FL-203317 MOUNTING FLANGE ASSEMBLY
7	2	GA-1129-1 O-RING
8	1	GA-1129-2 O-RING
9	1	GA-1129-4 O-RING
10	1	GA-1129-5 O-RING
11	1	GA-1129-7 O-RING
12	1	HO-203315 PUMP HOUSING SUB-ASSEMBLY
13	1	KY-1-4 WOODRUFF KEY
14	1	NP-206164 NAMEPLATE
15	1	PC-202613 UNLOADING VALVE PLUNGER
16	1	PG-202608 HEX PLUG
17	2	RG-202614 HEX PLUG
18	1	PT-202606 RPA PISTON
19	2	RG-100157 BACK-UP RING
20	2	RG-1098 EXTERNAL RETAINING RING
21	1	RG-1138 BACK-UP RING
22	2	SC-150-2CA NAME PLATE DRIVE SCREW
23	2	SC-1618 HEX HEAD CAP SCREW
24	1	SC-202610 UNLOADING VALVE SCREW
25	1	SH-202594 DRIVE SHAFT
26	1	SP-202607 VALVE SPRING
27	1	SP-202611 UNLOADING VALVE SPRING
28	1	SP-202615 INLET VALVE SPRING
29	1	SP-202702 VALVE SPRING
30	1	VA-202616 INLET VALVE
31	1	VS-202612 SPRING SEAT
32	2	WA-1253 WASHER
33	2	WA-5-10CA SPRING LOCK WASHER

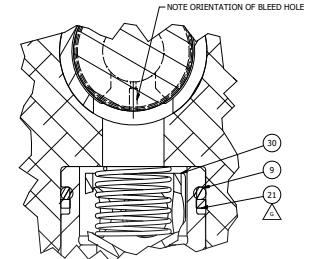


HYDRAULIC CIRCUIT SYMBOL

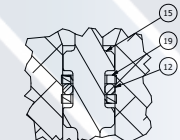
- 1 - OIL INLET (TANK)
- 2 - OIL RETURN (UNLOADING VALVE)
- 3 - OIL OUTLET (ACCUMULATOR)



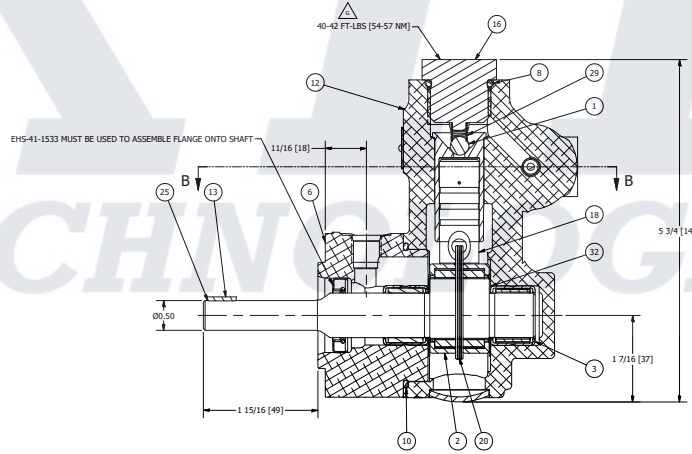
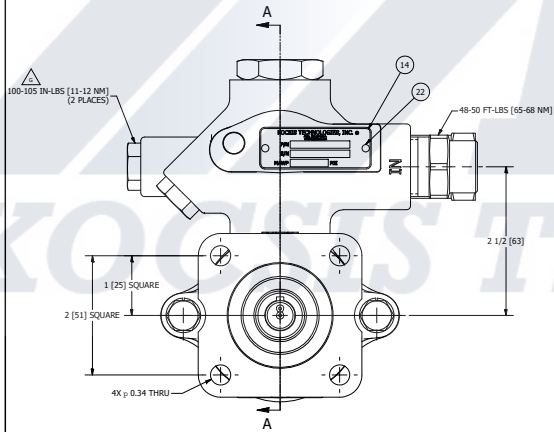
SECTION B-B



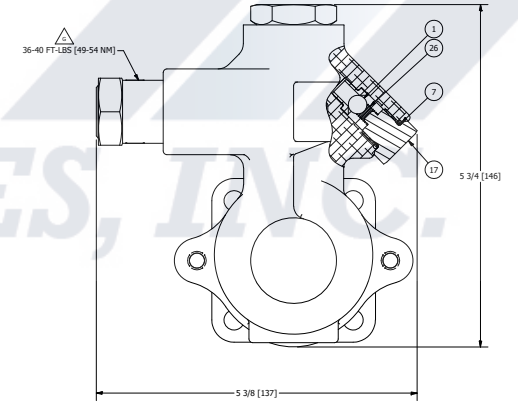
DETAIL C SCALE 3:1



DETAIL D SCALE 3:1



SECTION A-A



RPA-308090-C MOUNTING DATA		
SPECIFICATION	MOUNTING FLANGE	DRIVE SHAFT
ANSI		13-1
USA	4F17	
SAE		(A-A)

PUMP PERFORMANCE DATA	
TYPE:	FIXED DISPLACEMENT PISTON PUMP
ROTATION:	CW OR CCW
SPEED:	600-3000 RPM
UNLOADING VALVE:	INTEGRAL AND PRESSURE ADJUSTABLE
PRESSURE ADJUSTMENT RANGE:	1500-3000 PSY (104-207 BARS)
NORMAL PRESSURE CUT-OUT:	3000 PSY (207 BARS)
NORMAL PRESSURE CUT-IN:	2500 PSY (172 BARS)
SELF PRIMING & BLEEDING RESERVOIR:	SAME LEVEL AS PUMP
HOUSING:	CAST ALUMINUM
FLOW RATE:	0.5 GPM @ 3000 PSI @ 1800 RPM
DRIVE TORQUE (NO LOAD):	9 IN-LBS
DRIVE TORQUE (3000 PSI):	28 IN-LBS

TOLERANCES:	
±0.005	±0.0005
±0.002	±0.0002
±0.001	±0.0001
±0.0005	±0.00005
±0.0002	±0.00002
±0.0001	±0.00001

RECHARGING PUMP ASSEMBLY	
Part Number	RPA-308090
Weight	5 LBS
Material	CAST ALUMINUM
Finish	ANODIZED
Country of Origin	USA



RECHARGING PUMP ASSEMBLY

SEE PARTS LIST

5 LBS

UNLESS OTHERWISE SPECIFIED:
 DIMENSIONS ARE IN INCHES UNLESS OTHERWISE SPECIFIED.
 DIMENSIONS IN PARENTHESES ARE METRIC EQUIVALENTS.
 ALL DIMENSIONS ARE TO BE TAKEN TO THE CENTER OF THE HOLE UNLESS OTHERWISE SPECIFIED.
 DIMENSIONS ARE TO BE TAKEN TO THE CENTER OF THE HOLE UNLESS OTHERWISE SPECIFIED.
 DIMENSIONS ARE TO BE TAKEN TO THE CENTER OF THE HOLE UNLESS OTHERWISE SPECIFIED.