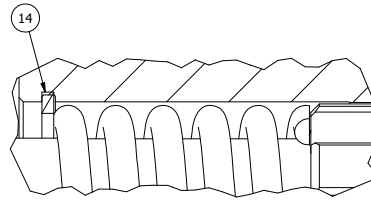
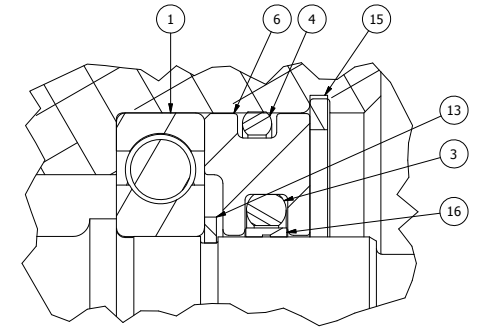


PARTS LIST			
ITEM	QTY	PART NUMBER	DESCRIPTION
1	1	BB-100083	BALL BEARING
2	1	BC-208820	BARREL
3	1	GA-100088	O-RING
4	1	GA-100104	O-RING
5	1	HG-208826	MOTOR HOUSING SUB-ASSEMBLY
6	1	HP-203078	SEAL HOLDING PIECE
7	1	IF-208280	WARNING TAG
8	2	KY-2-5	WOODRUFF KEY
9	1	NP-403878	NAMEPLATE
10	1	PL-200539	ACCESS PLATE
11	1	PL-208694	PORT PLATE SUB-ASSEMBLY
12	7	PT-208822	PISTON
13	1	RG-100039	RETAINING RING
14	1	RG-100040	RETAINING RING
15	1	RG-100041	RETAINING RING
16	1	RG-1136	SLIPPER SEAL
17	2	SC-100320	THREAD CUTTING SCREW
18	2	SC-150-2CA	NAME PLATE DRIVE SCREW
19	8	SC-208635	SOCKET HEAD CAP SCREW
20	1	SH-200532	DRIVE SHAFT
21	1	SP-200535	BARREL SPRING

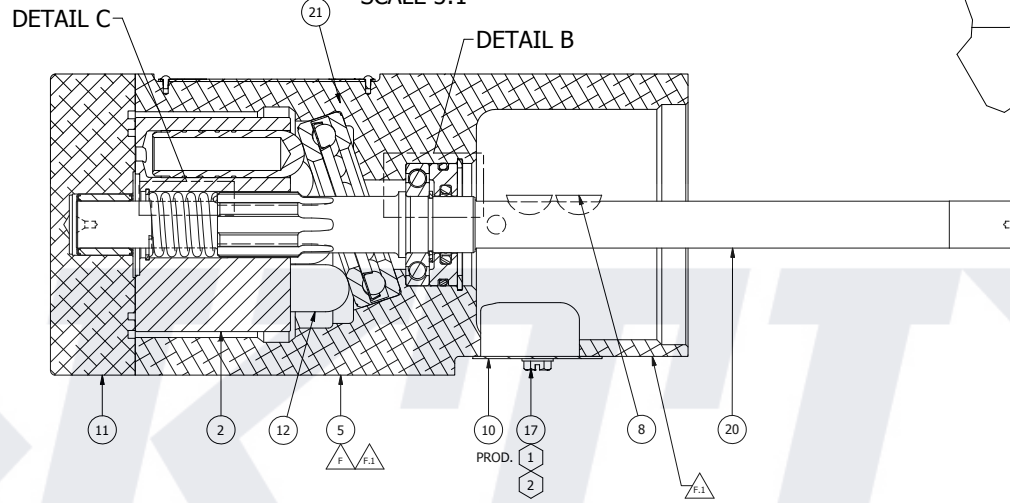
REVISIONS		
REV	DESCRIPTION	DATE
F	SEE ECN	10/3/2013
F.1	SEE ECN	5/13/2014



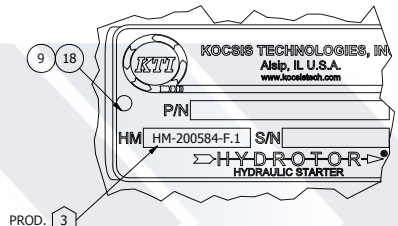
DETAIL C  
SCALE 3:1



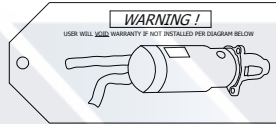
DETAIL B  
SCALE 3:1



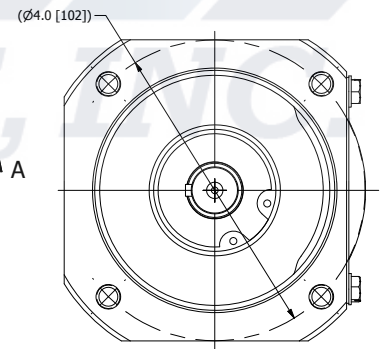
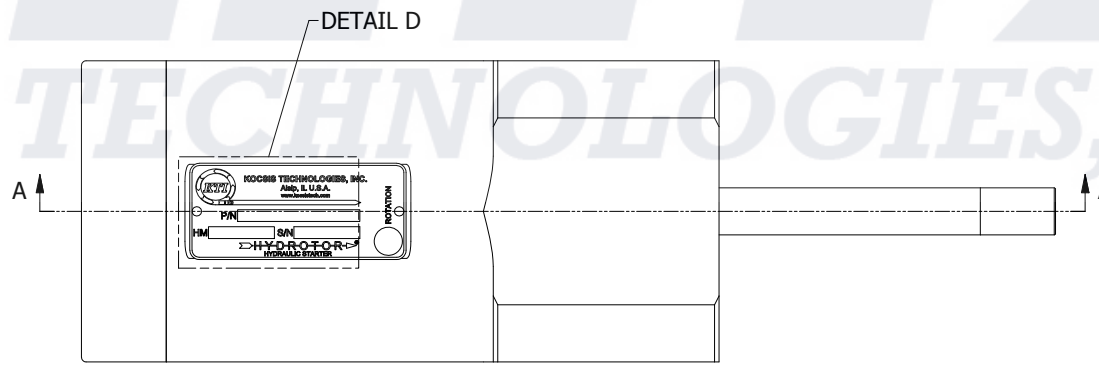
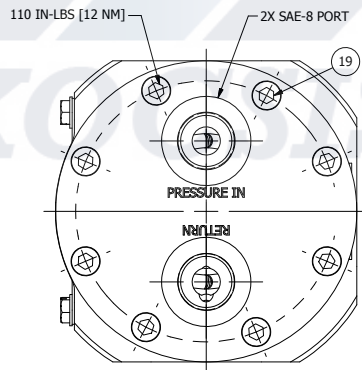
SECTION A-A



DETAIL D  
SCALE 1.3:1



IF-208280  
SCALE: 0.38:1



- PRODUCTION NOTES:
- DO NOT ASSEMBLE ACCESS PLATE ONTO HOUSING UNTIL FINAL HYDROTOR ASSEMBLY.
  - ATTACH WARNING TAG USING ACCESS PLATE SCREW DURING FINAL HYDROTOR ASSEMBLY.
  - SEE DETAIL D FOR NAMEPLATE MARKING INSTRUCTIONS.

UNLESS OTHERWISE SPECIFIED:		Kocsis Technologies, Inc.																															
<b>TOLERANCES:</b>	<ul style="list-style-type: none"> <li>○ INDICATES REFERENCE TO A NOTE</li> <li>△ INDICATES REFERENCE TO A REVISION</li> <li>○ INDICATES REFERENCE TO BOM NUMBERS NOT SHOWN DO NOT APPLY</li> <li>✓ FINISH =</li> <li>FRACTION =</li> </ul>	<ul style="list-style-type: none"> <li>REMOVE ALL BURRS; BREAK SHARP EDGES R0.03 MAX</li> <li>INTERPRET DIMENSIONS AND TOLERANCES: IN ASME Y14.5</li> <li>SURFACE FINISH SHALL BE IN ASME B 46.1</li> <li>ALL DIMENSIONS: IN UNLESS OTHERWISE SPECIFIED; METRICS DIMENSIONS ARE INDICATED BY [ ]</li> </ul>	<p>11755 South Austin Ave. Alsip, IL 60803</p> <p><b>HYDRAULIC MOTOR ASSEMBLY - CW</b></p>																														
<table border="1"> <thead> <tr> <th colspan="2">CW B SERIES PERFORMANCE DATA</th> </tr> </thead> <tbody> <tr> <td>DISPLACEMENT</td> <td>1.35 IN<sup>3</sup>/REV [22 CM<sup>3</sup>]</td> </tr> <tr> <td>DUTY CYCLE</td> <td>INTERMITTENT</td> </tr> <tr> <td>MAX TORQUE</td> <td>45 FT-LBS [61 Nm]</td> </tr> <tr> <td>MAX WORKING PRESSURE</td> <td>3000 PSI [207 BAR]</td> </tr> <tr> <td>SPEED RANGE</td> <td>0-7000 RPM</td> </tr> <tr> <td>ROTATION</td> <td>(CW)</td> </tr> </tbody> </table>	CW B SERIES PERFORMANCE DATA		DISPLACEMENT	1.35 IN <sup>3</sup> /REV [22 CM <sup>3</sup> ]	DUTY CYCLE	INTERMITTENT	MAX TORQUE	45 FT-LBS [61 Nm]	MAX WORKING PRESSURE	3000 PSI [207 BAR]	SPEED RANGE	0-7000 RPM	ROTATION	(CW)	<table border="1"> <tr> <td>PART NUMBER:</td> <td>HM-200584</td> <td>REVISION:</td> <td>F.1</td> </tr> <tr> <td>DATE:</td> <td>NTS</td> <td>WEIGHT:</td> <td>11.2 LBS</td> </tr> <tr> <td>ENGINEER:</td> <td>J. KUJAK</td> <td>DATE:</td> <td>10/3/2013</td> </tr> <tr> <td>APPROVED BY:</td> <td>J. KUJAK</td> <td>DATE:</td> <td>10/3/2013</td> </tr> </table>	PART NUMBER:	HM-200584	REVISION:	F.1	DATE:	NTS	WEIGHT:	11.2 LBS	ENGINEER:	J. KUJAK	DATE:	10/3/2013	APPROVED BY:	J. KUJAK	DATE:	10/3/2013	<p>SEE PARTS LIST</p>	<p>THIS DOCUMENT AND ALL ACCOMPANYING INFORMATION AND DATA ARE AND REMAIN THE PROPERTY OF KOCSIS TECHNOLOGIES AND SHALL NOT BE USED, COPIED OR REPRODUCED WITHOUT THE WRITTEN CONSENT OF KOCSIS TECHNOLOGIES. DESIGN AND INVENTION RIGHTS ARE RESERVED.</p>
CW B SERIES PERFORMANCE DATA																																	
DISPLACEMENT	1.35 IN <sup>3</sup> /REV [22 CM <sup>3</sup> ]																																
DUTY CYCLE	INTERMITTENT																																
MAX TORQUE	45 FT-LBS [61 Nm]																																
MAX WORKING PRESSURE	3000 PSI [207 BAR]																																
SPEED RANGE	0-7000 RPM																																
ROTATION	(CW)																																
PART NUMBER:	HM-200584	REVISION:	F.1																														
DATE:	NTS	WEIGHT:	11.2 LBS																														
ENGINEER:	J. KUJAK	DATE:	10/3/2013																														
APPROVED BY:	J. KUJAK	DATE:	10/3/2013																														



CW B SERIES PERFORMANCE DATA	
DISPLACEMENT	1.35 IN <sup>3</sup> /REV [22 CM <sup>3</sup> ]
DUTY CYCLE	INTERMITTENT
MAX TORQUE	45 FT-LBS [61 Nm]
MAX WORKING PRESSURE	3000 PSI [207 BAR]
SPEED RANGE	0-7000 RPM
ROTATION	(CW)

PART NUMBER:	HM-200584	REVISION:	F.1
DATE:	NTS	WEIGHT:	11.2 LBS
ENGINEER:	J. KUJAK	DATE:	10/3/2013
APPROVED BY:	J. KUJAK	DATE:	10/3/2013

THIS DOCUMENT AND ALL ACCOMPANYING INFORMATION AND DATA ARE AND REMAIN THE PROPERTY OF KOCSIS TECHNOLOGIES AND SHALL NOT BE USED, COPIED OR REPRODUCED WITHOUT THE WRITTEN CONSENT OF KOCSIS TECHNOLOGIES. DESIGN AND INVENTION RIGHTS ARE RESERVED.