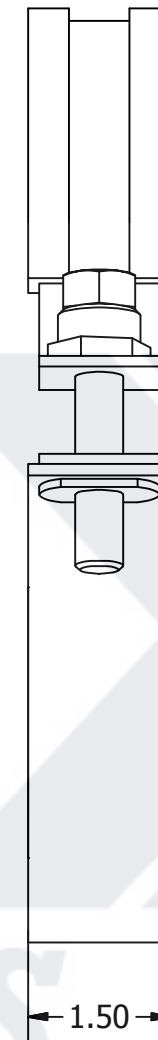
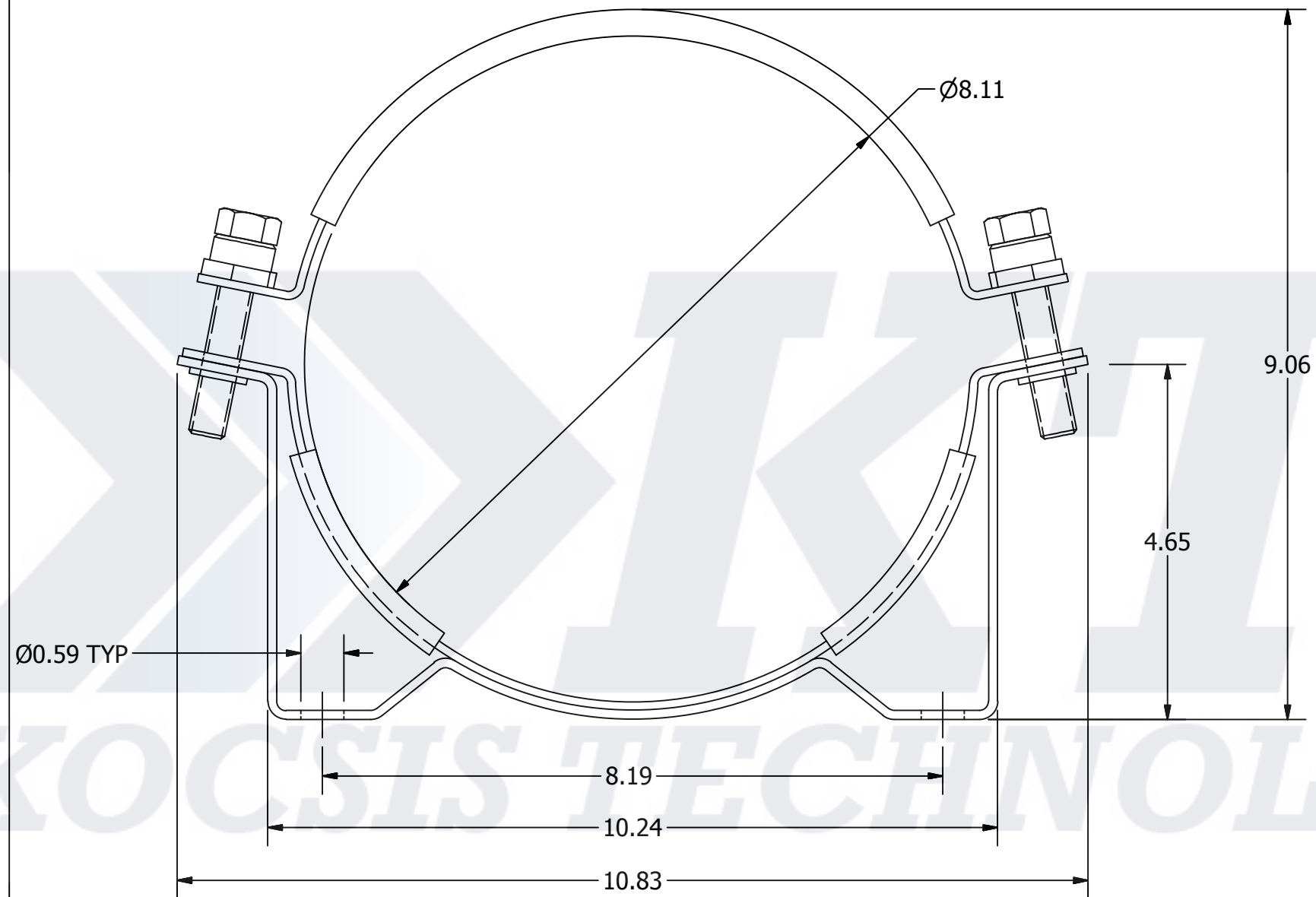



REVISIONS			
REV	DESCRIPTION	DATE	ECN
1	Released for production	5/11/2010	14923



PHYSICAL PROPERTIES:
MASS: 4.5 lbmass

C:\mentor Data Files\Auto\Design Vault\Design\Accumulator\Accumulator Accessories\BK-208005.dwg				B	 KOCSIS TECHNOLOGIES, INC. 11755 South Austin Ave. Alsip, IL 60803 Division of Kocsis Brothers Machine Co.
DO NOT SCALE DRAWING					
TOLERANCE		X	XX	XXX	ACCUMULATOR BRACKET (A70) <small>THIS DRAWING AND ALL INFORMATION THEREON IS THE PROPERTY OF KTI AND SHALL NOT BE USED, COPIED OR REPRODUCED WITHOUT THE WRITTEN CONSENT OF KOCSIS TECHNOLOGIES. DESIGN AND INVENTION RIGHTS ARE RESERVED.</small>
mm		±	±	±	
INCH		± 0.03	± 0.010	± 0.005	
ANGLES		± 1° FINISH 125			ALL DIMENSIONS IN INCHES UNLESS OTHERWISE SPECIFIED
APPD BY:	DESIGN	MANUF	QC	DWN BY TDP	
SCALE		DATE		DWG NO.	MAT'L BK-208005
NTS		5/7/2008		SHEET	
				1 OF 1	