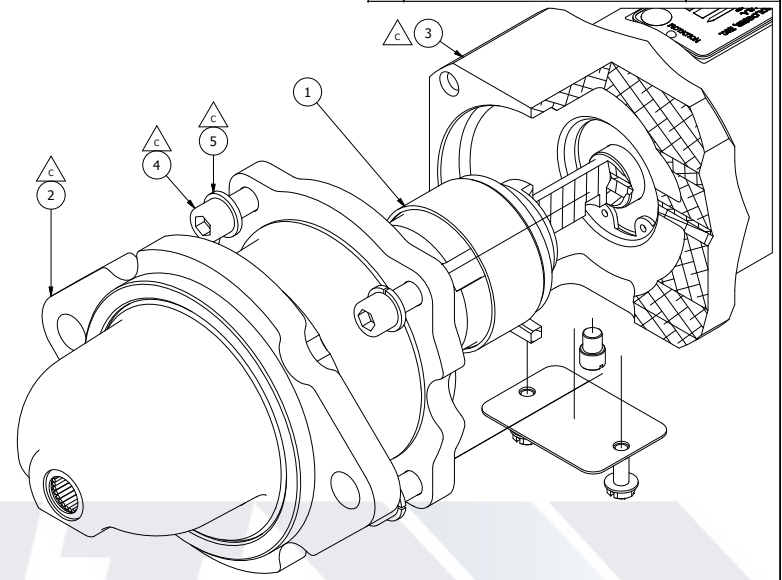
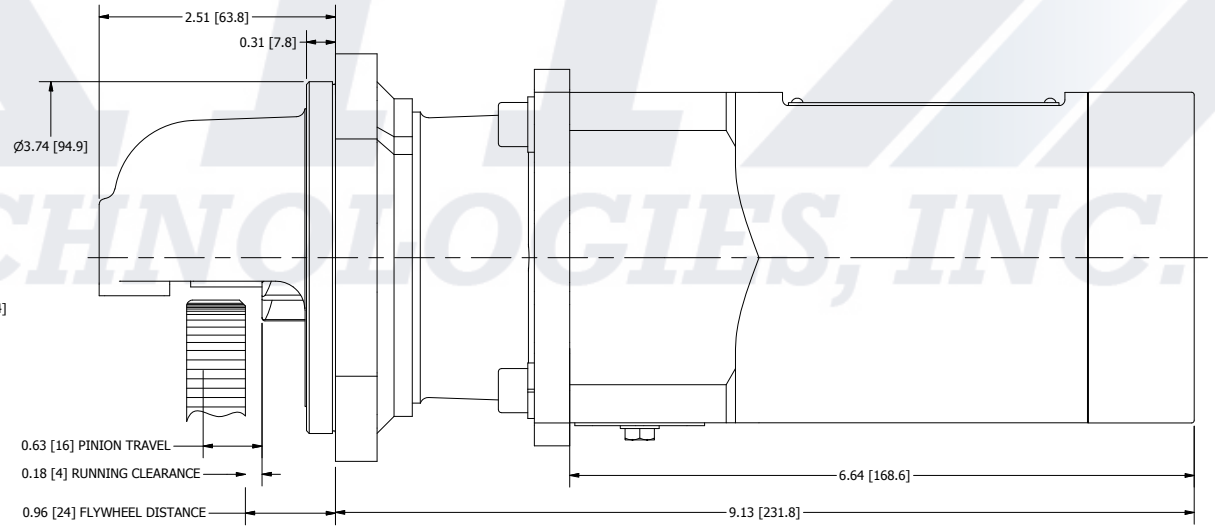
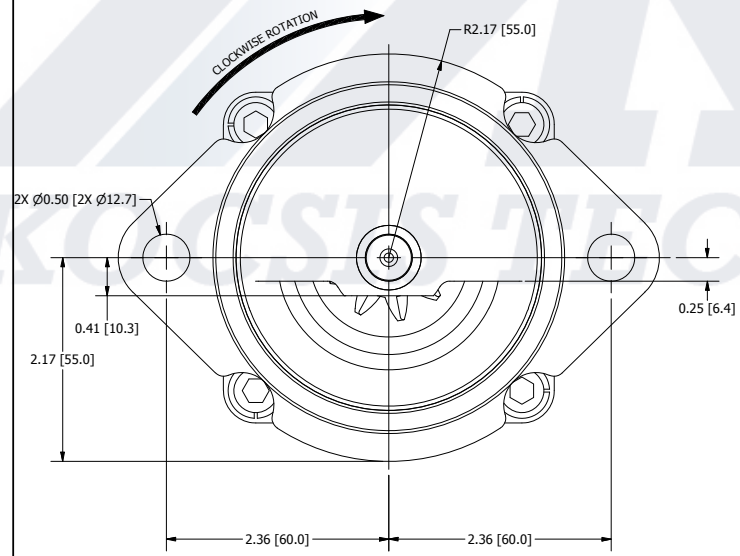
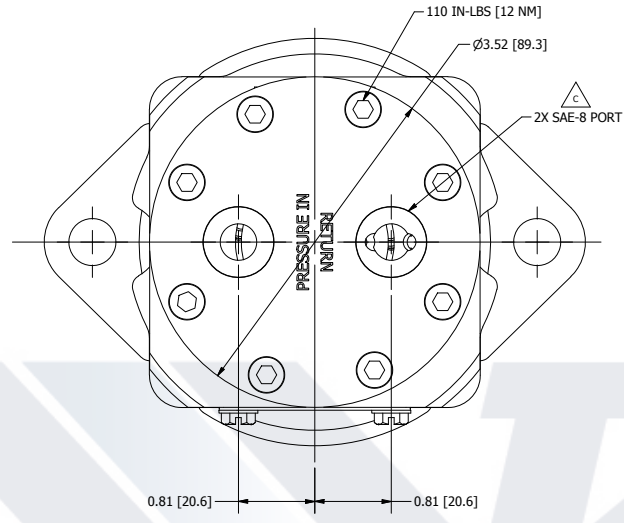


PARTS LIST			
ITEM	QTY	PART NUMBER	DESCRIPTION
1	1	DV-203423-1	HD RUBBER FOLO-THRU DRIVE (CW/A SERIES)
2	1	HG-207460	PINION HOUSING ASSEMBLY - WELDED
3	1	HM-206193	HYDRAULIC MOTOR ASSEMBLY - CW
4	4	SC-100273	SOCKET HEAD CAP SCREW
5	4	WA-6-10BL	LOCK WASHER

REVISIONS			DATE
REV	DESCRIPTION		
C	SEE ECH		8/7/2014



ASSEMBLY DETAIL VIEW
SCALE 0.87:1



A SERIES PERFORMANCE DATA - CW	
DISPLACEMENT	0.50 IN ³ /REV [8.2 CM ³]
DUTY CYCLE	INTERMITTENT
MAX TORQUE	15 FT-LBS [20 Nm]
MAX WORKING PRESSURE	3000 PSI [207 BAR]
SPEED RANGE	0-7000 RPM
ROTATION	(CW)

DV-203423-1 DATA	
NUMBER OF TEETH	9
OUTSIDE DIA. (PITCH DIA.)	1.36 [35] 1.06 [27]
PITCH	MOD 3
PRESSURE ANGLE (ROOT DIA.)	15° 0.85[22]

UNLESS OTHERWISE SPECIFIED:

TOLERANCES:
 0.X = ±
 0.XX = ±
 0.XXX = ±
 ANGLES = ±
 FINISH = √
 FRACTION = ±

INDICATES REFERENCE TO A NOTE
 INDICATES REFERENCE TO A REVISION
 INDICATES REFERENCE TO BOM NUMBERS NOT SHOWN DO NOT APPLY

THREADED PROJECTION:

REMOVE ALL BURRS, BREAK SHARP EDGES R0.03 MAX
 INTERPRET DIMENSIONS AND TOLERANCES IN ACCORDANCE WITH ASME Y14.5
 SURFACE FINISH SHALL BE IN ACCORDANCE WITH ASME B46.1
 ALL DIMENSIONS IN INCHES UNLESS OTHERWISE SPECIFIED, METRIC DIMENSIONS ARE INDICATED BY []

Kocsis Technologies, Inc.
 11755 South Austin Ave. Alsip, IL 60803

HYDROTOR® ASSEMBLY

PART NUMBER: **A1-09B1106-TJ096** REVISION: **C**

MATERIAL: **SEE PARTS LIST**

SCALE: **NTS** WEIGHT: **10.2 LBS** CODE:

DESIGNED BY: **J.KUJAK** DATE: **8/7/2014**
 APPROVED BY: **J.KUJAK** DATE: **8/7/2014**

THIS DOCUMENT AND ALL ACCOMPANYING INFORMATION AND DATA ARE AND REMAIN THE PROPERTY OF KOCSIS TECHNOLOGIES AND SHALL NOT BE USED, COPIED OR REPRODUCED WITHOUT THE WRITTEN CONSENT OF KOCSIS TECHNOLOGIES. DESIGN AND INVENTION RIGHTS ARE RESERVED.

FILE NAME: A1-081106-1009-006 SHEET 1 OF 1

LEGACY KTI P/N: OMO-308218-A