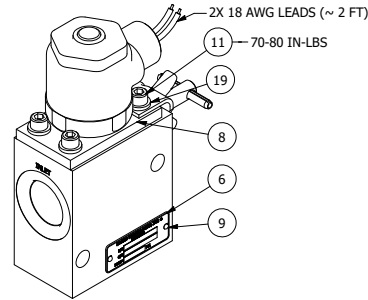
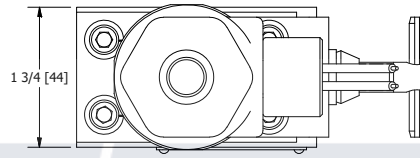


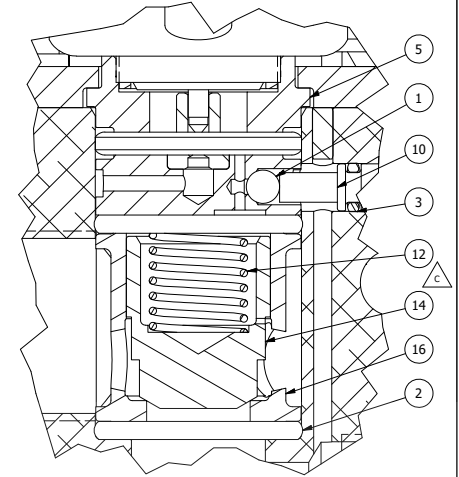
PARTS LIST			
ITEM	QTY	PART NUMBER	DESCRIPTION
1	1	1022013	STEEL BALL
2	3	GA-100110	O-RING
3	1	GA-1129-7	O-RING
4	1	HG-203151	VALVE HOUSING SUB-ASSEMBLY
5	1	HG-203428	ACTUATOR HOUSING ASSEMBLY - SOLENOID VALVE
6	1	NP-206164	NAMEPLATE
7	1	NT-1289	WING NUT
8	1	PL-202905	RETAINING PLATE
9	2	SC-150-2CA	NAME PLATE DRIVE SCREW
10	1	SC-203155	MANUAL CONTROL SCREW
11	4	SC-2097	SOCKET HEAD CAP SCREW
12	1	SP-202763	VALVE SPRING
13	1	ST-203159	MANUAL CONTROL STOP
14	1	VA-203154	VALVE
15	1	VA-206788	24 VDC SOLENOID VALVE - NEMA 7
16	1	VB-203152	VALVE BODY
17	1	WA-1995	FLAT WASHER
18	1	WA-1996	LOCKWASHER
19	4	WA-5-8CA	LOCKWASHER



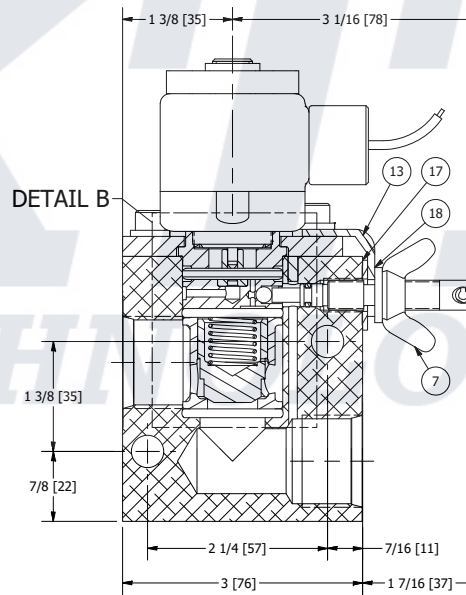
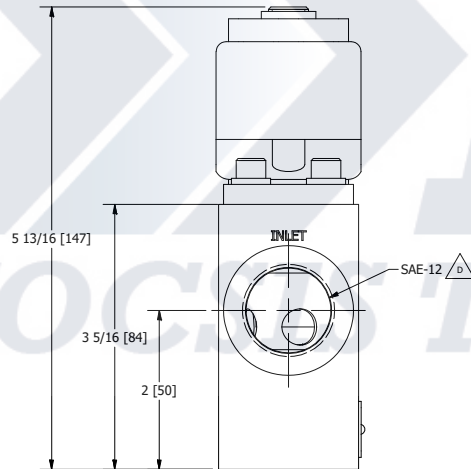
ISOMETRIC VIEW  
1:2



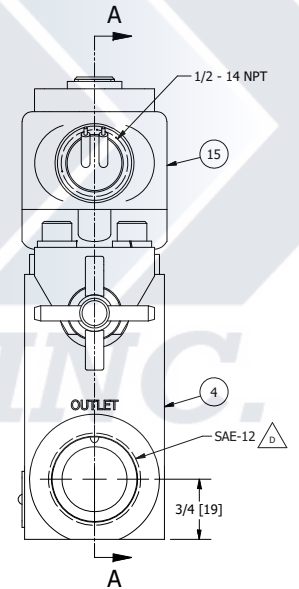
REVISIONS		
REV	DESCRIPTION	DATE
E	SEE ECH	3/11/2016



DETAIL B  
SCALE 1.75 : 1



SECTION A-A



INSTALLATION NOTES:  
1). MUST BE MOUNTED WITHIN 30° OF VERTICAL ORIENTATION.

ASSEMBLY PROCEDURE NOTES:

- ITEM 3 (GA-1129-7) LOCATED AT BOTTOM & TOP OF ITEM 16 (VB-203152) MUST BE ASSEMBLED IN THE FOLLOWING SEQUENCE: (APPLY GREASE PER ASSEMBLY SPECIFICATION SHEET)
  - INSERT ITEM 3 (GA-1129-7) INTO BOTTOM OF BORE IN HOUSING ITEM 4 (HG-203151)
  - INSERT VALVE BODY, ITEM 16 (VB-203152) INTO HOUSING BORE
  - PLACE O-RING, ITEM 3 (GA-1129-7) IN UPPER GROOVE OF ITEM 16 (VB-203152)
- INSTALL ITEM 5 (HG-203428) INTO ITEM 4 (HG-203151). LOCATE ITEM 5 RADIALLY SO THAT ITEM 1 (1022013) HAS FREE ENTRANCE INTO HOLE OF ITEM 5.
- ASSEMBLE ITEM 7 (NT-1289), ITEM 18 (WA-1996), ITEM 17 (WA-1995), AND ITEM 2 (GA-100110) ON TO ITEM 10 (SC-203155). THREAD ITEM 10 (SC-203155) WITH ITEM 1 (1022013) INTO ITEM 4 (HG-203151). ALLOW ITEM 7 (NT-1289) TO REMAIN FREE.
- SECURE ITEM 8 (PL-202905) AND ITEM 13 (ST-203159) IN PLACE AS SHOWN. TORQUE ITEM 11 (SC-2097) TO 70-80 IN LBS. TIGHTEN ITEM 7 (NT-1289).
- INSTALL ITEM 15 (VA-206788).
- TEST PER TS-41-37.

VCA-308185-1 DATA	
VALVE TYPE	SOLENOID OPERATED DUMP VALVE
VALVE DESIGN	INTERNALLY PILOTTED POPPET
MAX FLOW	40 GPM
MAX WORKING PRESSURE	3000 PSI
NORMAL POSITION	CLOSED
VOLTAGE	24 VDC
INTERMITTENT DUTY CYCLE	15 SEC. ON - 10 MIN. OFF
INRUSH CURRENT	(2.82 AMPS)
HOLD CURRENT	(2.82 AMPS)

UNLESS OTHERWISE SPECIFIED:			
<b>TOLERANCES:</b>	○ INDICATES REFERENCE TO A NOTE △ INDICATES REFERENCE TO A REVISION ○ INDICATES REFERENCE TO BOM NUMBERS NOT SHOWN DO NOT APPLY 0.XX = ± 0.XXX = ± ANGLES = ± √ FINISH = FRACTION = ±	<b>24 VDC/NEMA 7 SOLENOID ACTUATED VALVE</b>	<b>REVISIONS</b> E
* REMOVE ALL BURRS, BREAK SHARP EDGES R0.03 MAX * INTERPRET DIMENSIONS AND TOLERANCES: ASM ASME Y14.5 * SURFACE FINISH SHALL BE 100 ASME B-46.1 * ALL DIMENSIONS: IN INCHES UNLESS OTHERWISE SPECIFIED. METRIC DIMENSIONS ARE INDICATED BY [ ]	<b>TURBOANGLE PROJECTION:</b> 	PART NUMBER: <b>VCA-308185-1</b> SERIAL: <b>SEE PARTS LIST</b>	SCALE: <b>NTS</b> WEIGHT: <b>3 LBS</b>
THIS DOCUMENT AND ALL ACCOMPANYING INFORMATION AND DATA ARE AND REMAIN THE PROPERTY OF KOCISIS TECHNOLOGIES AND SHALL NOT BE USED, COPIED OR REPRODUCED WITHOUT THE WRITTEN CONSENT OF KOCISIS TECHNOLOGIES. DESIGN AND INVENTION RIGHTS ARE RESERVED.		ENGINEER: <b>J. MEDVID</b> APPROVED BY: <b>J. HOLLAND</b> FILE NUMBER: <b>VCA-308185-1.DWG</b>	DATE: <b>12/10/2015</b> <b>3/11/2016</b> SHEET 1 OF 1