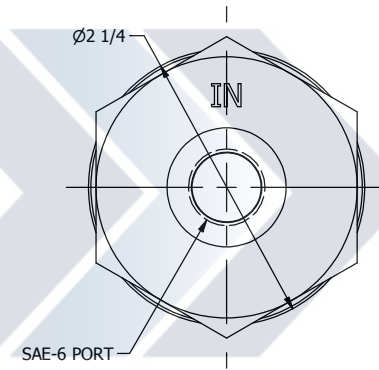
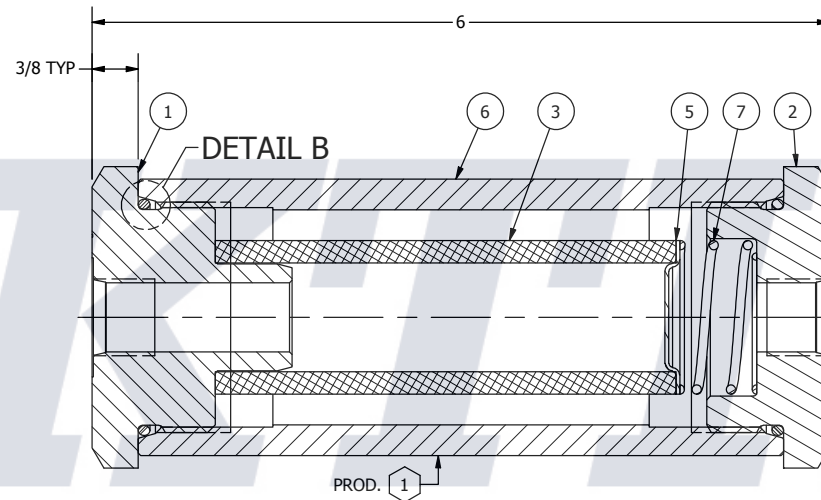
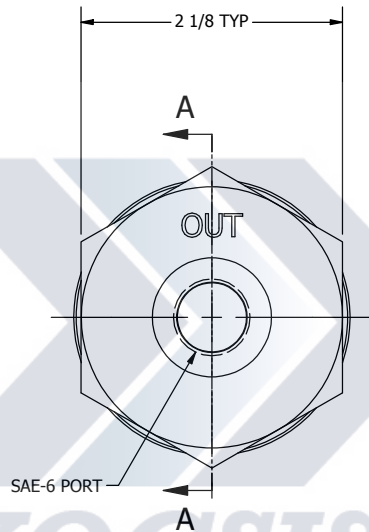


PARTS LIST				
ITEM	QTY	PART NUMBER	DESCRIPTION	MATERIAL
1	1	CP-208915	CAP	CARBON STEEL
2	1	CP-208916	CAP	CARBON STEEL
3	1	FE-200575	FILTER ELEMENT - 40 MICRON	PHENOLIC RESIN
4	2	GA-100201	O-RING	BUNA-N
5	1	GU-200574	GUIDE	PLATED CARBON STEEL
6	1	HG-208912	FILTER HOUSING	CARBON STEEL
7	1	SP-202109	SPRING	MUSIC WIRE

REVISIONS		
REV	DESCRIPTION	DATE
A	SEE ECR	



2X DETAIL B  
SCALE 3 : 1

SECTION A-A

**PRODUCTION NOTES:**

1. STAMP INFORMATION PER DETAIL C, STAMPING SIZE TO ENSURE MAXIMUM LEGIBILITY.
2. PRIOR TO PAINTING/SHIPPING PORT MUST BE PROTECTED/COVERED.
3. PAINTING SPECIFICATIONS:
  - 3.1 STANDARD KTI PRIMER - GRAY

**ENGINEERING REFERENCE DATA:**

1. MAWP: 3000 PSI

FRH-308273 FILTER  
KOCISIS TECHNOLOGIES, INC. ®  
MADE IN USA

DETAIL C  
SCALE: NTS

**UNLESS OTHERWISE SPECIFIED:**

<b>TOLERANCES:</b>	<ul style="list-style-type: none"> <li>○ INDICATES REFERENCE TO A NOTE</li> <li>△ INDICATES REFERENCE TO A REVISION</li> <li>□ INDICATES REFERENCE TO BOM NUMBERS NOT SHOWN DO NOT APPLY</li> </ul>
<ul style="list-style-type: none"> <li>0.X = ±</li> <li>0.XX = ±</li> <li>0.XXX = ±</li> <li>ANGLES = ±</li> <li>√ FINISH = ±</li> <li>FRACTION = ±</li> </ul>	<b>THIRD ANGLE PROJECTION:</b> 

- REMOVE ALL BURRS, BREAK SHARP EDGES R0.03 MAX
- INTERPRET DIMENSIONS AND TOLERANCES IAW ASME Y14.5
- SURFACE FINISH SHALL BE IAW ASME B 46.1
- ALL DIMENSIONS IN INCHES UNLESS OTHERWISE SPECIFIED. METRICS DIMENSIONS ARE INDICATED BY [ ].



FILTER - 40 MICRON

PART NUMBER:	FRH-308273	REVISION:	A
--------------	------------	-----------	---

MATERIAL: SEE PARTS LIST

SCALE:	NTS	WEIGHT:	3.9 LBS	CODE:	
--------	-----	---------	---------	-------	--

THIS DOCUMENT AND ALL ACCOMPANYING INFORMATION AND DATA ARE AND REMAIN THE PROPERTY OF KOCISIS TECHNOLOGIES AND SHALL NOT BE USED, COPIED OR REPRODUCED WITHOUT THE WRITTEN CONSENT OF KOCISIS TECHNOLOGIES. DESIGN AND INVENTION RIGHTS ARE RESERVED.	ENGINEER:	T.PETERSON	7/14/2015
	APP'VD BY:	T.PETERSON	7/14/2015
	FILENAME:	FRH-308273.dwg	SHEET 1 OF 1