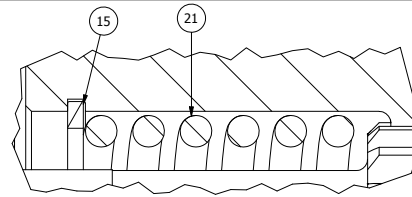
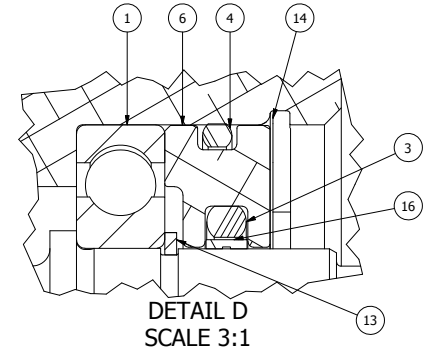


PARTS LIST			
ITEM	QTY	PART NUMBER	DESCRIPTION
1	1	BB-100083	BALL BEARING
2	1	BC-208821	BARREL
3	1	GA-100088	O-RING
4	1	GA-100104	O-RING
5	1	HG-208862	MOTOR HOUSING SUB-ASSEMBLY
6	1	HP-203078	SEAL HOLDING PIECE
7	1	IF-208280	WARNING TAG
8	1	KY-2-5	WOODRUFF KEY
9	1	NP-403878	NAMEPLATE
10	1	PL-208693	PORT PLATE SUB-ASSEMBLY
11	1	PL-208699	ACCESS PLATE
12	7	PT-208836	PISTON
13	1	RG-100039	RETAINING RING
14	1	RG-100041	RETAINING RING
15	1	RG-100527	RETAINING RING
16	1	RG-1136	SLIPPER SEAL
17	2	SC-100320	THREAD CUTTING SCREW
18	2	SC-150-2CA	NAME PLATE DRIVE SCREW
19	8	SC-208635	SOCKET HEAD CAP SCREW
20	1	SH-202164	DRIVE SHAFT
21	1	SP-202166	SPRING
22	1	SP-208820	SPACER

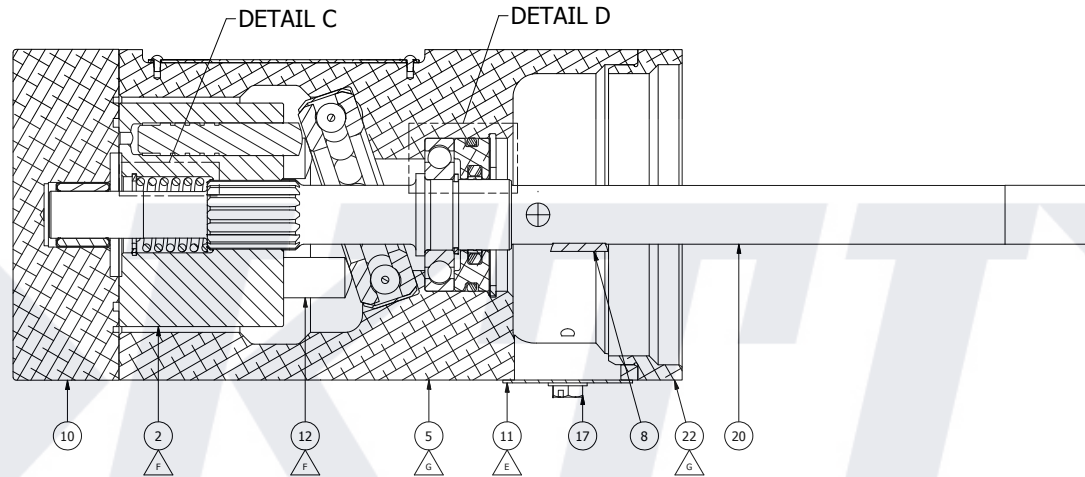
REVISIONS		
REV	DESCRIPTION	DATE
F	SEE ECN	8/26/2013
G	SEE ECN	9/5/2013



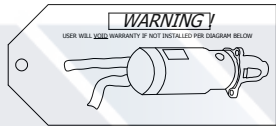
DETAIL C
SCALE 4:1



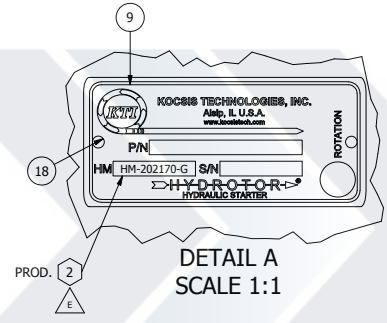
DETAIL D
SCALE 3:1



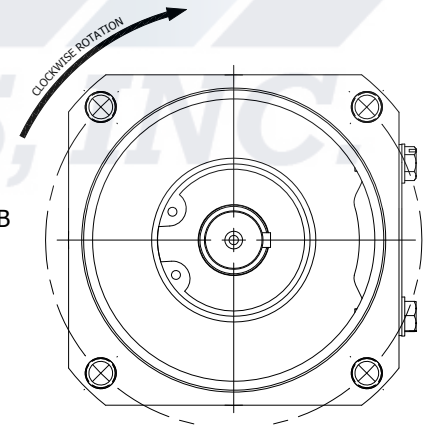
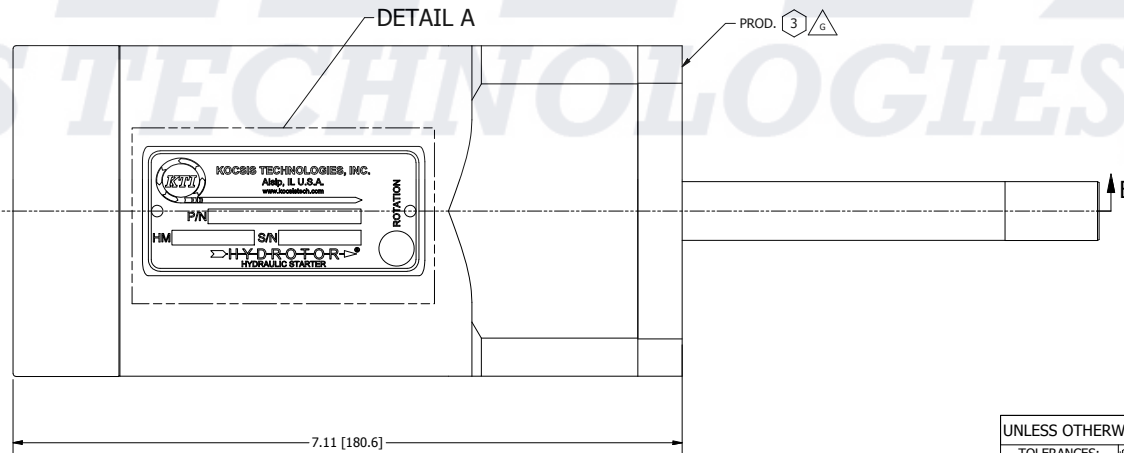
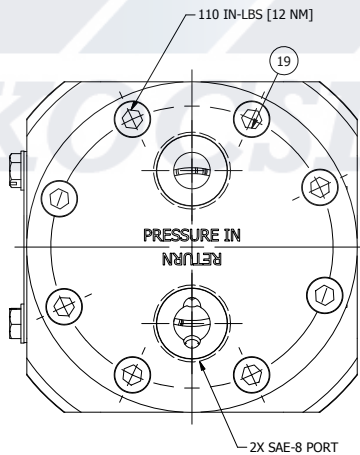
SECTION B-B



IF-208280
SCALE 0.38:1



DETAIL A
SCALE 1:1



- PRODUCTION NOTES:**
- 1). ATTACH WARNING TAG USING ACCESS PLATE SCREW DURING FINAL HYDROTOR ASSEMBLY.
 - 2). SEE DETAIL -D- FOR NAMEPLATE MARKING INSTRUCTIONS.
 - 3). ASSEMBLE SPACER LOOSE UNTIL FINAL HYDROTOR ASSEMBLY.

UNLESS OTHERWISE SPECIFIED:

TOLERANCES:	○ INDICATES REFERENCE TO A NOTE
0.X = ±	△ INDICATES REFERENCE TO A REVISION
0.XX = ±	○ INDICATES REFERENCE TO BOM
0.XXX = ±	NUMBERS NOT SHOWN DO NOT APPLY
ANGLES = ±	▽ FINISH =
√ FINISH =	THETA ANGLE PROJECTION:
FRACTION = ±	



HYDRAULIC MOTOR ASSEMBLY - CW

CW A SERIES PERFORMANCE DATA	
DISPLACEMENT	0.50 IN ³ /REV [8.2 CM ³]
DUTY CYCLE	INTERMITTENT
MAX TORQUE	15 FT-LBS [20 Nm]
MAX WORKING PRESSURE	3000 PSI [207 BAR]
SPEED RANGE	0-7000 RPM
ROTATION	(CW)

PART NUMBER:	HM-202170	REVISION:	G
MATERIAL:	SEE PARTS LIST	SCALE:	NTS
WEIGHT:	7.7 LBS	CODE:	
<small> * REMOVE ALL BURRS, BREAK SHARP EDGES R0.03 MAX * INTERPRET DIMENSIONS AND TOLERANCES: IN/IN ASME Y14.5 * SURFACE FINISH SHALL BE IN/IN ASME B 46.1 * ALL DIMENSIONS: IN INCHES UNLESS OTHERWISE SPECIFIED, METRICS DIMENSIONS ARE INDICATED BY [] THIS DOCUMENT AND ALL ACCOMPANYING INFORMATION AND DATA ARE AND REMAIN THE PROPERTY OF KOCSIS TECHNOLOGIES AND SHALL NOT BE USED, COPIED OR REPRODUCED WITHOUT THE WRITTEN CONSENT OF KOCSIS TECHNOLOGIES. DESIGN AND INVENTION RIGHTS ARE RESERVED. </small>			
ENGINEER:	J.KUJAK	DATE:	9/5/2013
APPROVED BY:	J.KUJAK	DATE:	9/5/2013
FILE NAME:	HM-202170.dwg	SHEET:	1 OF 1