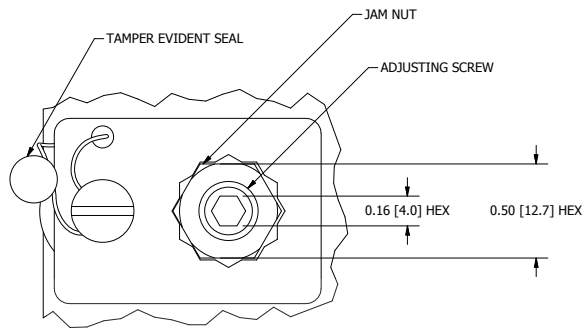
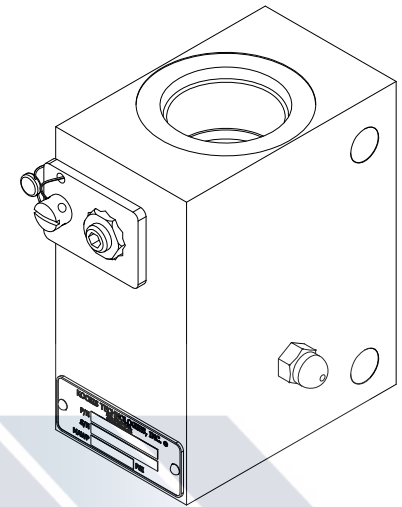
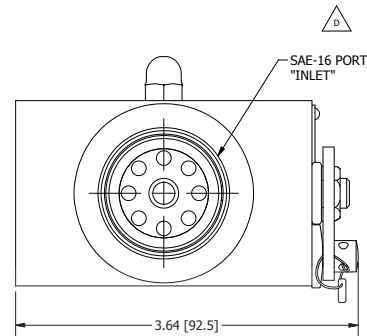


PARTS LIST			
ITEM	QTY	PART NUMBER	DESCRIPTION
1	1	NP-206164	NAMEPLATE
2	2	SC-150-2CA	NAME PLATE DRIVE SCREW
3	1	VA-208344	SOFT ENGAGEMENT VALVE

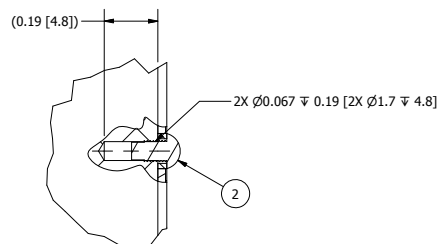
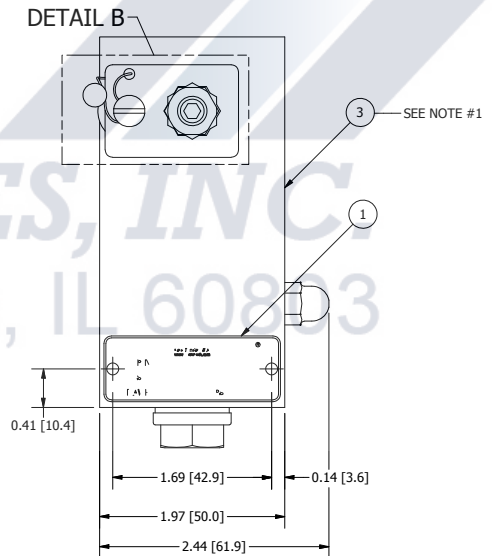
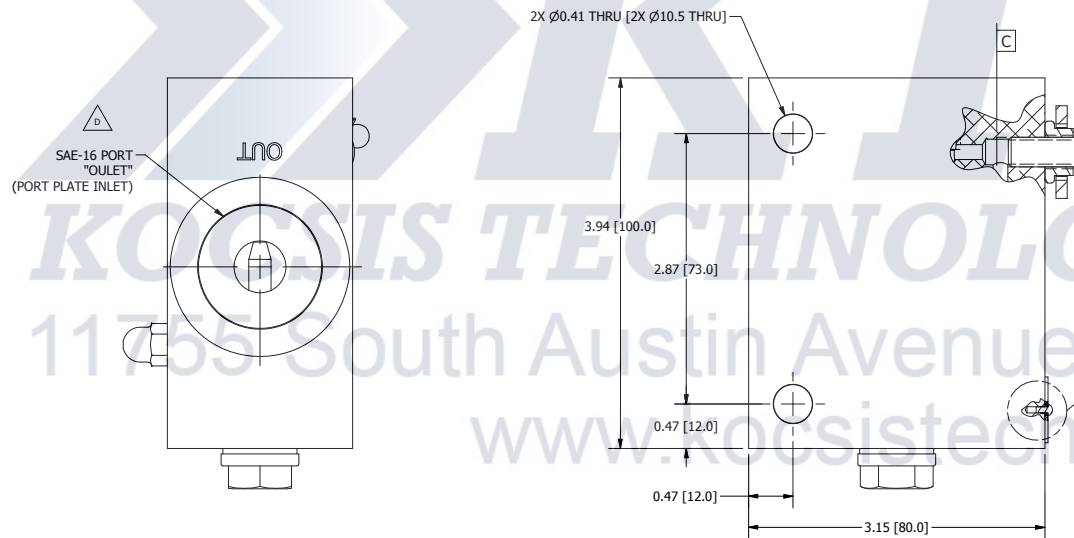
REVISIONS		
REV	DESCRIPTION	DATE
D	SEE ECR	2/20/2013



DETAIL B
SCALE 2 : 1



ISOMETRIC FRONT
SCALE: 1:1



DETAIL A
SCALE 3:1
(2 PLACES)

PRODUCTION NOTES:
1). CALIBRATE FOR D SERIES DISPLACEMENT.

UNLESS OTHERWISE SPECIFIED:		Kocsis TECHNOLOGIES, INC.	
TOLERANCES:	<ul style="list-style-type: none"> Ø.X = ± 0.XX = ± 0.XXX = ± ANGLES = ± FINISH = FRACTION = ± 	<ul style="list-style-type: none"> INDICATES REFERENCE TO A NOTE INDICATES REFERENCE TO A REVISION INDICATES REFERENCE TO BOM NUMBERS NOT SHOWN DO NOT APPLY 	<p>11755 South Austin Ave. Alsip, IL 60803</p>
SOFT ENGAGEMENT VALVE		PART NUMBER: VA-308232	REVISION: D
<ul style="list-style-type: none"> REMOVE ALL BURRS; BREAK SHARP EDGES R0.03 MAX INTERPRET DIMENSIONS AND TOLERANCES: IN ASME Y14.5 SURFACE FINISH SHALL BE IN ASME B 46.1 ALL DIMENSIONS: IN UNLESS OTHERWISE SPECIFIED, METRICS DIMENSIONS ARE INDICATED BY [] 		<p>ENGINEER: J.AGUILERA 2/20/2013</p> <p>APPROVED BY: T.PETERSON 2/20/2013</p> <p>SCALE: NTS WEIGHT: 2.3 LBS</p>	
<p>THIS DOCUMENT AND ALL ACCOMPANYING INFORMATION AND DATA ARE AND REMAIN THE PROPERTY OF KOCSIS TECHNOLOGIES AND SHALL NOT BE USED, COPIED OR REPRODUCED WITHOUT THE WRITTEN CONSENT OF KOCSIS TECHNOLOGIES. DESIGN AND INVENTION RIGHTS ARE RESERVED.</p>			