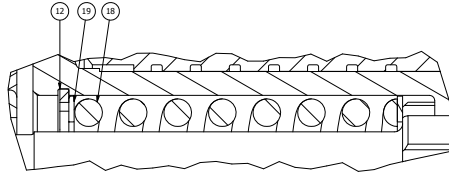
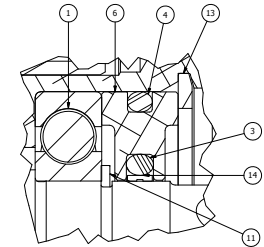


PARTS LIST			
ITEM	QTY	PART NUMBER	DESCRIPTION
1	1	BB-100060	BALL BEARING
2	1	BC-208711	BARREL
3	1	CA-100061	O-RING
4	1	CA-100064	O-RING
5	1	HG-208798	MOTOR HOUSING SUB-ASSEMBLY
6	1	HP-203094	SEAL HOLDING PIECE
7	1	IF-208780	WARNING TAG
8	1	NP-402878	NAMEPLATE
9	1	PL-208825	PORT PLATE SUB-ASSEMBLY
10	7	PT-208704	PISTON
11	1	RG-100036	RETAINING RING
12	1	RG-1103	RETAINING RING
13	1	RG-1104	RETAINING RING
14	1	RG-1137	SLIPPER SEAL
15	8	SC-100251	SOCKET HEAD CAP SCREW
16	2	SC-150-3CA	NAME PLATE DRIVE SCREW
17	1	SH-202740	DRIVE SHAFT
18	1	SP-202663	BARREL SPRING
19	2	WA-1949	BARREL WASHER



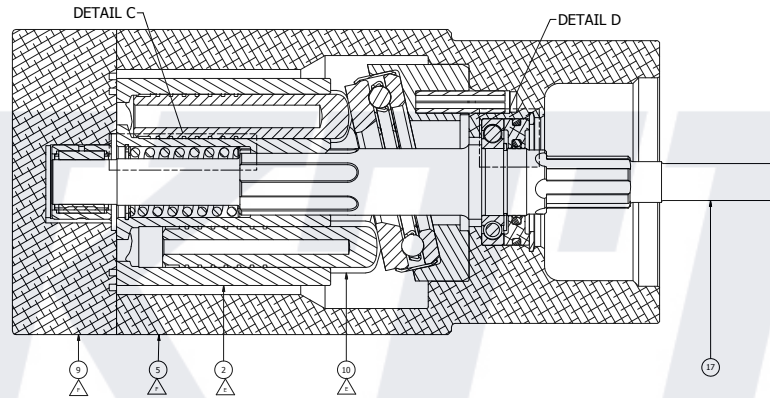
DETAIL C
SCALE 3 : 1



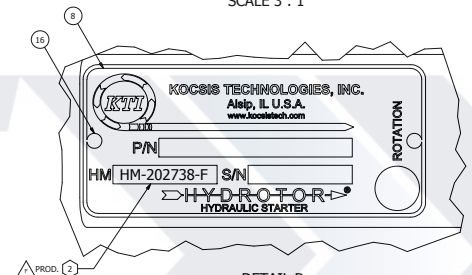
DETAIL D
SCALE 3 : 1



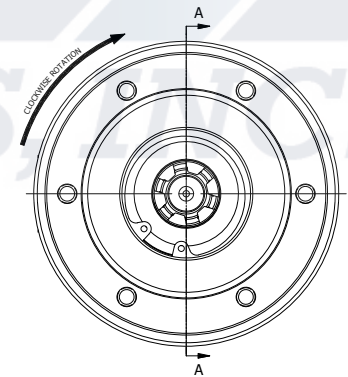
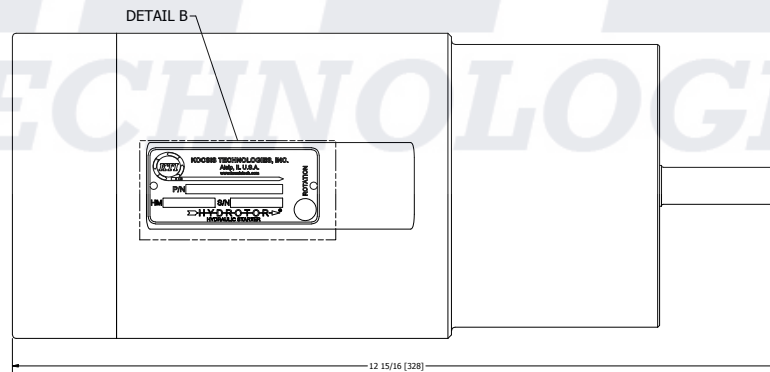
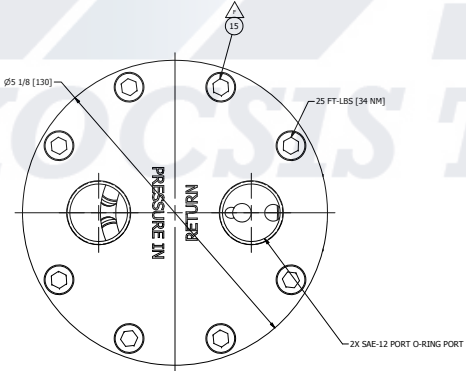
IF-208280
SCALE 1 : 2



SECTION A-A



DETAIL B
SCALE 2 : 1



PRODUCTION NOTES:
1) DO NOT ATTACH WARNING TAG (ITEM 7) TO MOTOR ASSEMBLY UNTIL FINAL HYDROTOR ASSEMBLY.
2) SEE DETAIL D FOR NAMEPLATE MARKING INSTRUCTIONS.

CW C SERIES PERFORMANCE DATA	
DISPLACEMENT	2.00 IN ³ /REV (3.3 CM ³)
DUTY CYCLE	INTERMITTENT
MAX TORQUE	7.2 FT-LBS (9.8 NM)
MAX WORKING PRESSURE	3000 PSI (207 BAR)
SPEED RANGE	0-4500 RPM
ROTATION	(CW)

UNLESS OTHERWISE SPECIFIED:		Kocsis Technologies, Inc.	
TOLERANCES:	Dimensional tolerances shall conform to ASME Y14.5-2009 unless otherwise specified.	11705 South Austin Ave., Alsip, IL 60803	
±0.005	±0.0005	HYDRAULIC MOTOR ASSEMBLY - CW	
±0.001	±0.0001	HM-202738	
±0.0005	±0.00005	F	
±0.0001	±0.00001	SEE PARTS LIST	
±0.00005	±0.000005	NTS 24.6 LBS	
±0.00001	±0.000001	2025/01/01	