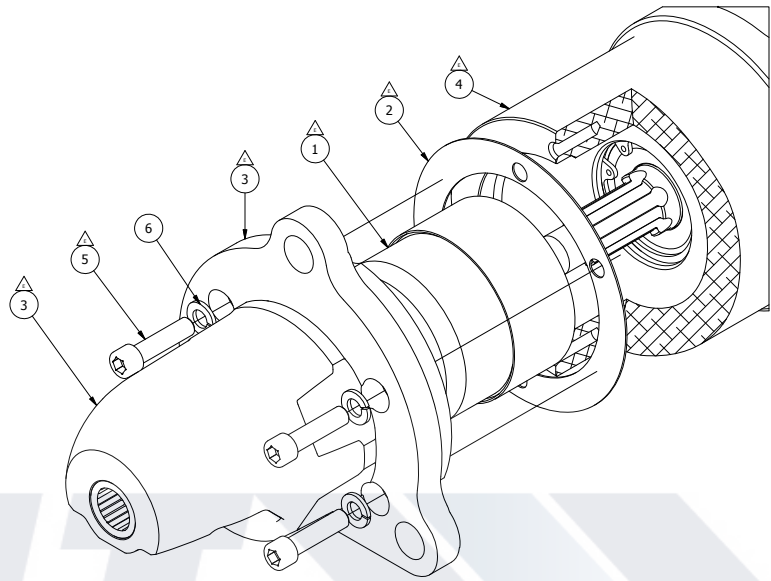
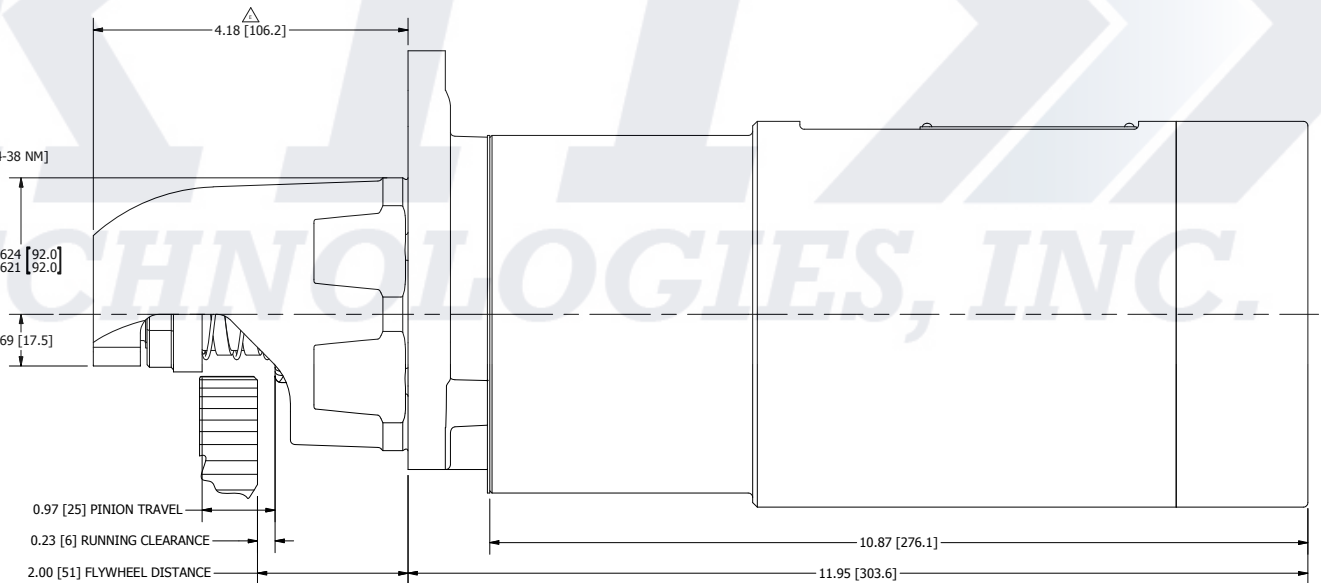
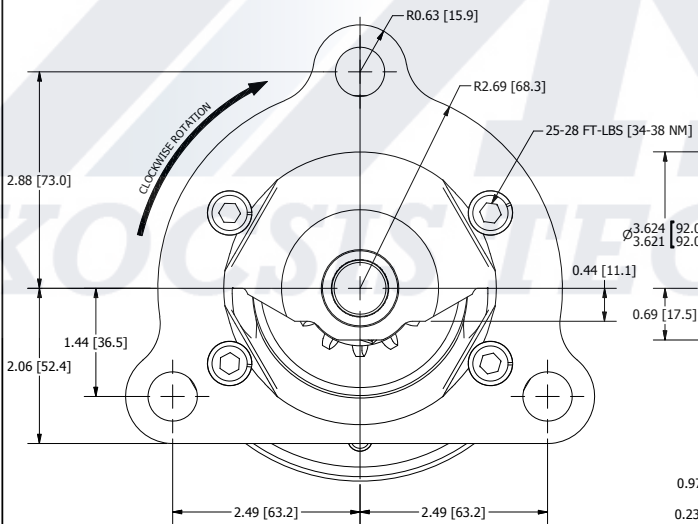
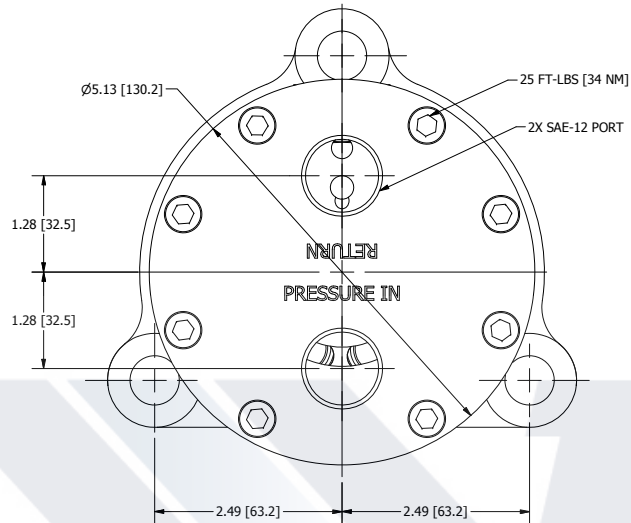


PARTS LIST			
ITEM	QTY	PART NUMBER	DESCRIPTION
1	1	DV-208825	DRIVE ASSEMBLY - CW
2	1	GA-207691	PINION HOUSING GASKET
3	1	HG-208848	PINION HOUSING ASSEMBLY - SAE 3
4	1	HM-202738	HYDRAULIC MOTOR ASSEMBLY - CW
5	4	SC-100196	SOCKET HEAD CAP SCREW
6	4	WA-6-10BL	LOCK WASHER

REVISIONS		
REV	DESCRIPTION	DATE
E	SEE ECH	8/30/2013



DETAIL ASSEMBLY VIEW
SCALE 0.67:1

CW C SERIES PERFORMANCE DATA	
DISPLACEMENT	2.00 IN ³ /REV [3.3 CM ³]
DUTY CYCLE	INTERMITTENT
MAX TORQUE	72 FT-LBS [98 NM]
MAX WORKING PRESSURE	3000 PSI [207 BAR]
SPEED RANGE	0-4500 RPM
ROTATION	(CW)

DV-208825 DATA	
NUMBER OF TEETH	12/13
OUTSIDE DIA. (PITCH DIA.)	1.817 [46] 1.500 [38]
PITCH	8/10
PRESSURE ANGLE (ROOT DIA.)	20° 1.378 [35]

UNLESS OTHERWISE SPECIFIED:
TOLERANCES:
 0.X = ±
 0.XX = ±
 0.XXX = ±
 ANGLES = ±
 √ FINISH =
 FRACTION = ±
 INDICATES REFERENCE TO A NOTE
 INDICATES REFERENCE TO A REVISION
 INDICATES REFERENCE TO BOM
 NUMBERS NOT SHOWN DO NOT APPLY
THREAD ANGLE PROJECTION:
 REMOVE ALL BURRS, BREAK SHARP EDGES R0.03 MAX
 INTERPRET DIMENSIONS AND TOLERANCES IN ACCORDANCE WITH ASME Y14.5
 SURFACE FINISH SHALL BE IN ACCORDANCE WITH ASME B46.1
 ALL DIMENSIONS IN INCHES UNLESS OTHERWISE SPECIFIED.
 METRIC DIMENSIONS ARE INDICATED BY []

Kocsis TECHNOLOGIES, INC.
 11755 South Austin Ave. Alsip, IL 60803

HYDROTOR® ASSEMBLY

PART NUMBER: **C1-12D2150-30200** REVISION: **E**

MATERIAL: **SEE PARTS LIST**

SCALE: **NTS** WEIGHT: **32.2 LBS** CODE:

THIS DOCUMENT AND ALL ACCOMPANYING INFORMATION AND DATA ARE AND REMAIN THE PROPERTY OF KOCSIS TECHNOLOGIES AND SHALL NOT BE USED, COPIED OR REPRODUCED WITHOUT THE WRITTEN CONSENT OF KOCSIS TECHNOLOGIES. DESIGN AND INVENTION RIGHTS ARE RESERVED.

ENGINEER: J. KUJAK
 APPROVED BY: J. KUJAK
 8/30/2013

FILE NAME: C1-12D2150-30200.dwg SHEET 1 OF 1

LEGACY KTI P/N: CHD-30815-A