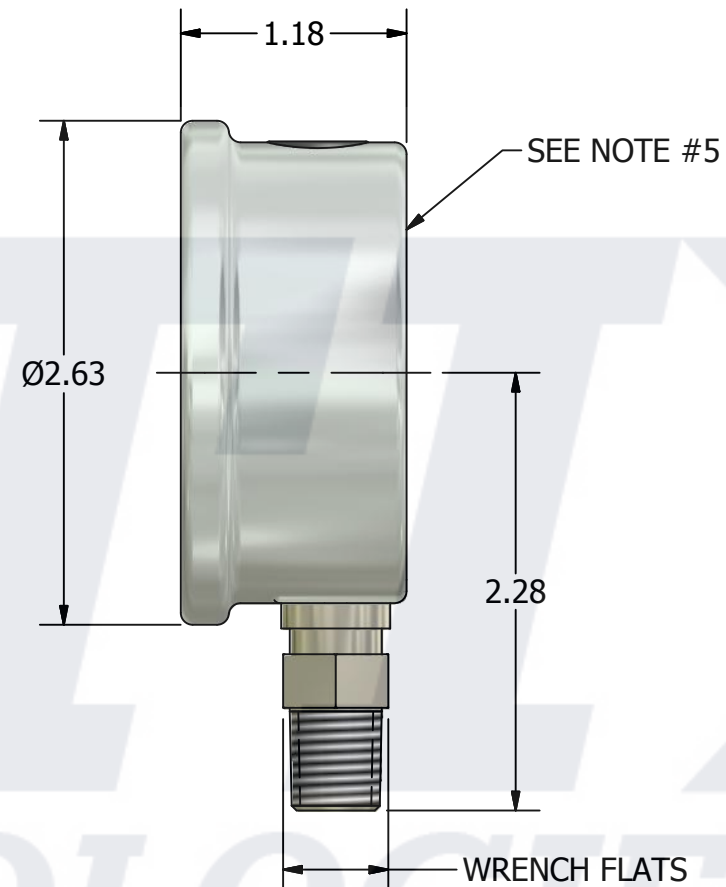
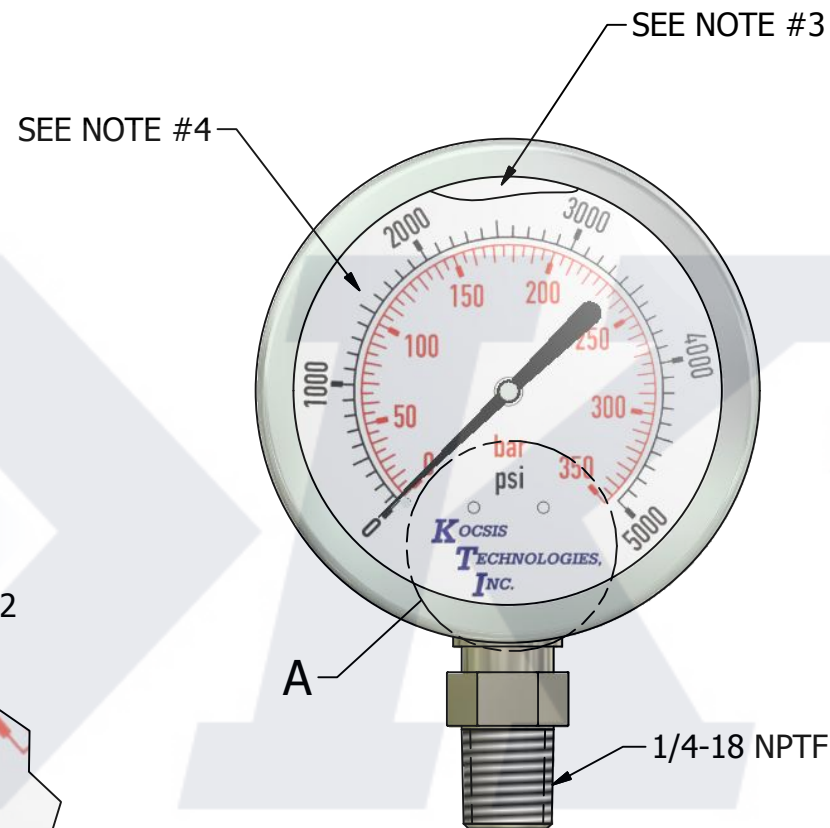
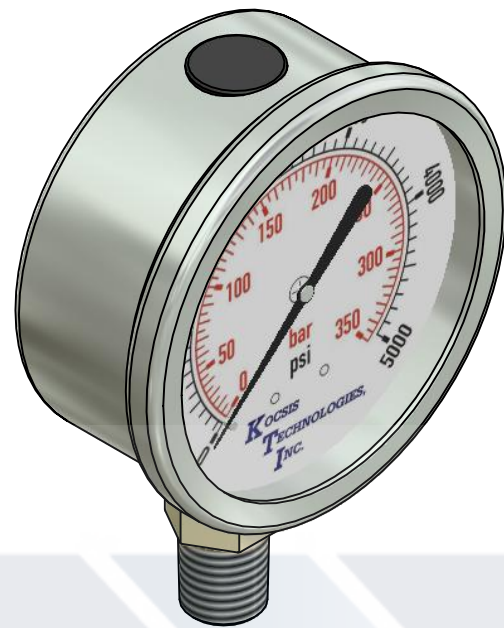
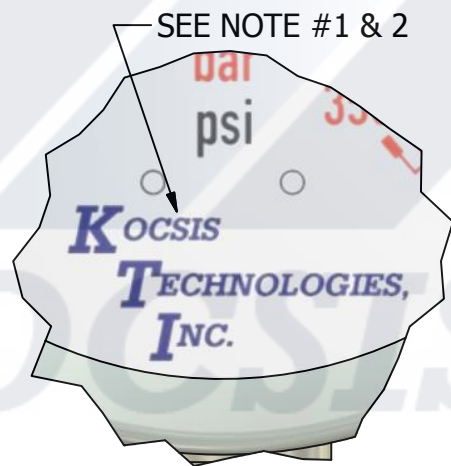
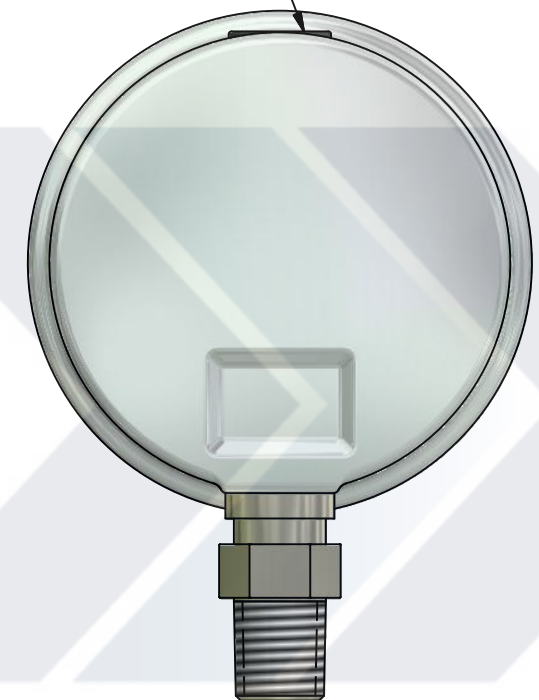


REVISIONS			
REV	DESCRIPTION	DATE	ECN
M	Added dual unit scale per vendor artwork	2/26/2010	15083



NEOPRENE PLUG  
SEALS FILL PORT



DETAIL A  
SCALE 2 : 1

1/4-18 NPTF

**VENDOR NOTES:**

- 1). DIGITAL ARTWORK TO BE PROVIDED BY KTI AT ORDER PLACEMENT (GG-200656\_LOGO.JPG).
- 2). ENGINEERING APPROVAL OF PROOF REQUIRED PRIOR TO PRODUCTION.
- 3). GLYCERIN FILLED SUITABLE FOR USE FROM -40° F TO +180° F.
- 4). ALUMINUM DIAL WITH BLACK NUMERALS ON WHITE BACKGROUND (DUAL SCALE PSI/BAR) AS SHOWN.
- 5). STAINLESS STEEL CASE.
- 6). ACCURACY OF GAUGE IS ±1.6% OF SPAN IN MIDDLE HALF OF SCALE.

C:\Inventor Data Files\Vault\Design Vault\Design\Cracking\Cracking Accessories\Gauges\GG-200656.dwg				B	<b>KOC SIS TECHNOLOGIES, INC.</b> 11755 South Austin Ave. Alsip, IL 60803 Division of Kocsis Brothers Machine Co.	
DO NOT SCALE DRAWING						
TOLERANCE	X	XX	XXX			
mm	±	±	±			
INCH	± 0.03	± 0.010	± 0.005			
ANGLES	± 1°	FINISH 125				
ALL DIMENSIONS IN INCHES UNLESS OTHERWISE SPECIFIED				DWN BY	MAT'L	DWG NO.
APPD BY:	DESIGN	MANUF	QC	TDP	N/A	GG-200656
SCALE		1:1		DATE		12/14/2009
				SHEET		1 OF 1