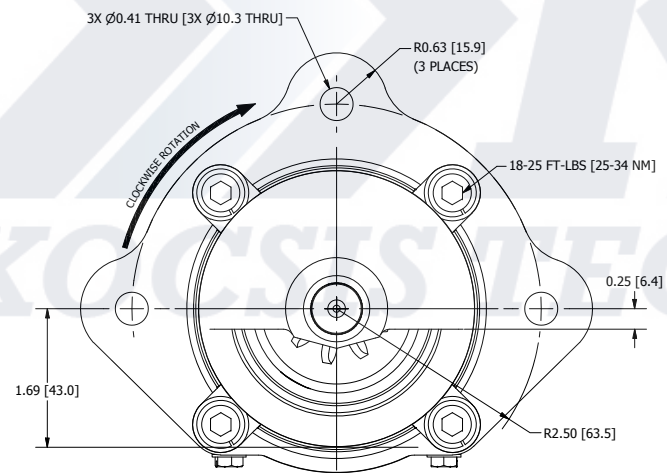
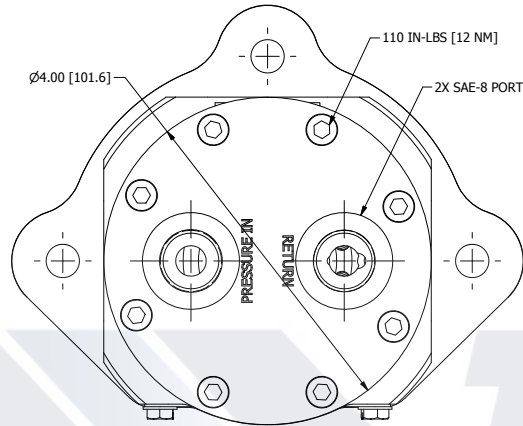
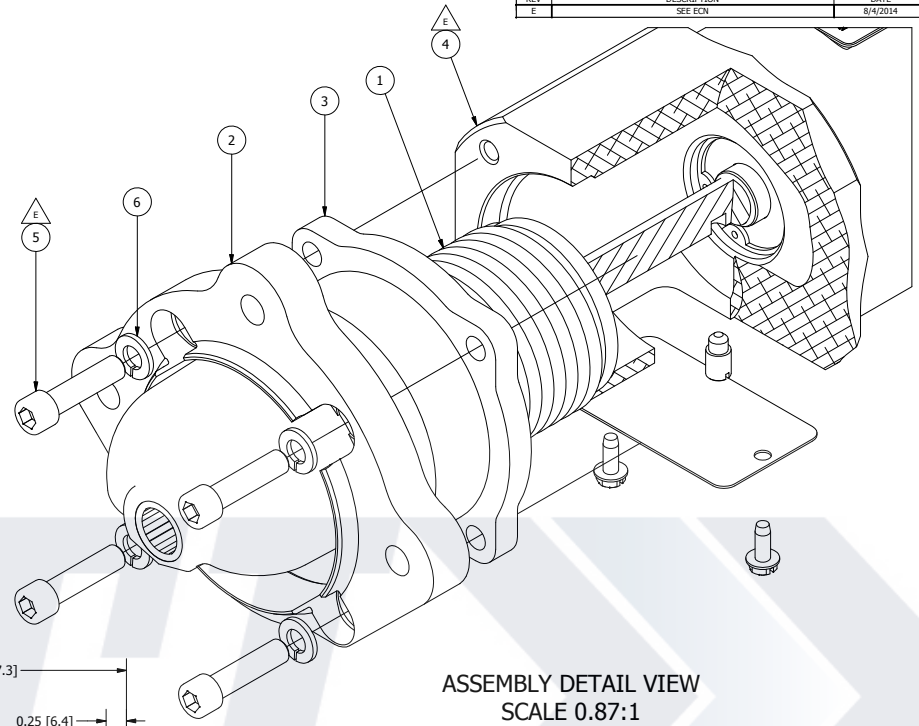


PARTS LIST			
ITEM	QTY	PART NUMBER	DESCRIPTION
1	1	DV-206656	DRIVE ASSEMBLY - CW
2	1	FL-200547	FLANGE - SAE 1
3	1	HG-200541	PINION HOUSING ASSEMBLY - A/B SERIES
4	1	HM-200584	HYDRAULIC MOTOR ASSEMBLY - CW
5	4	SC-100196	SOCKET HEAD CAP SCREW
6	4	WA-6-10BL	LOCK WASHER

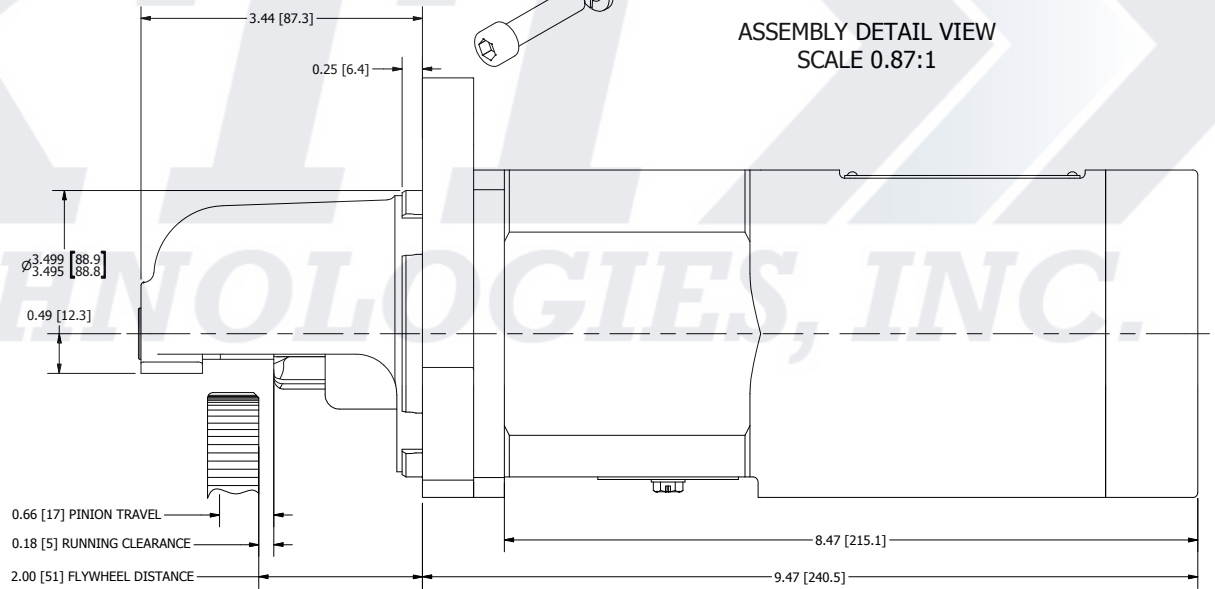
REVISIONS		
REV	DESCRIPTION	DATE
E	SEE ECH	8/4/2014



SAE 1 FLANGE



ASSEMBLY DETAIL VIEW
SCALE 0.87:1



- 0.66 [17] PINION TRAVEL
- 0.18 [5] RUNNING CLEARANCE
- 2.00 [51] FLYWHEEL DISTANCE

CW B SERIES PERFORMANCE DATA	
DISPLACEMENT	1.35 IN ³ /REV [22 CM ³]
DUTY CYCLE	INTERMITTENT
MAX TORQUE	45 FT-LBS [61 Nm]
MAX WORKING PRESSURE	3000 PSI [207 BAR]
SPEED RANGE	0-7000 RPM
ROTATION	(CW)

DV-206656 DATA	
NUMBER OF TEETH	9
OUTSIDE DIA. (PITCH DIA.)	1.36 [35 mm] 1.06 [27 mm]
PITCH	MOD 3
PRESSURE ANGLE (ROOT DIA.)	15° 0.85 [22 mm]

UNLESS OTHERWISE SPECIFIED:
TOLERANCES:
 0.X = ±
 0.XX = ±
 0.XXX = ±
 ANGLES = ±
 √ FINISH =
 FRACTION = ±

Kocsis Technologies, Inc.
 11755 South Austin Ave. Alsip, IL 60803

HYDROTOR® ASSEMBLY
 PART NUMBER: **B1-09B1106-1A200**
 REVISION: **E**

MATERIAL: **SEE PARTS LIST**
 SCALE: **NTS** WEIGHT: **16.6 LBS** CODE:

APPROVED BY: **J. KUJAK** 8/22/2013
 DESIGNED BY: **J. KUJAK** 8/22/2013
 DRAWN BY: **J. KUJAK** 8/22/2013
 CHECKED BY: **J. KUJAK** 8/22/2013
 SHEET 1 OF 1

LEGACY KTI P/N: CMA-308129-B