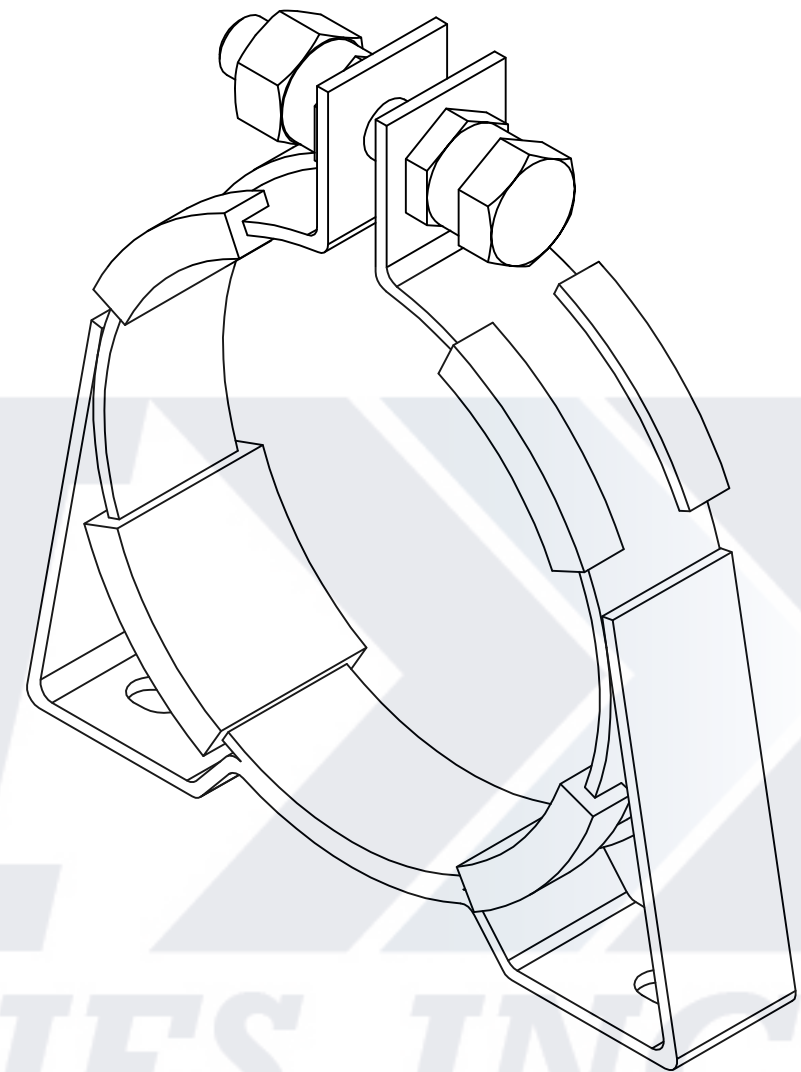
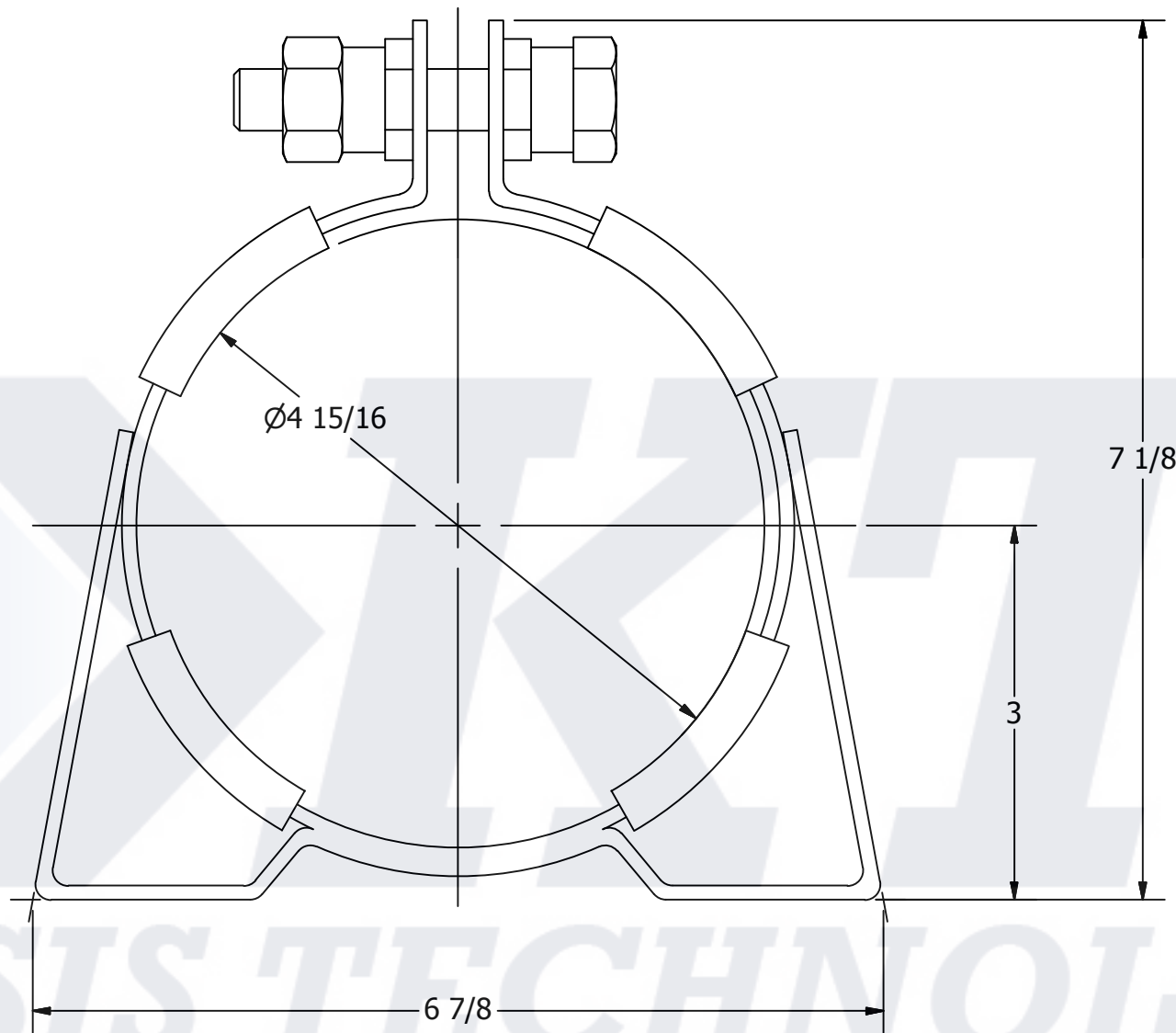
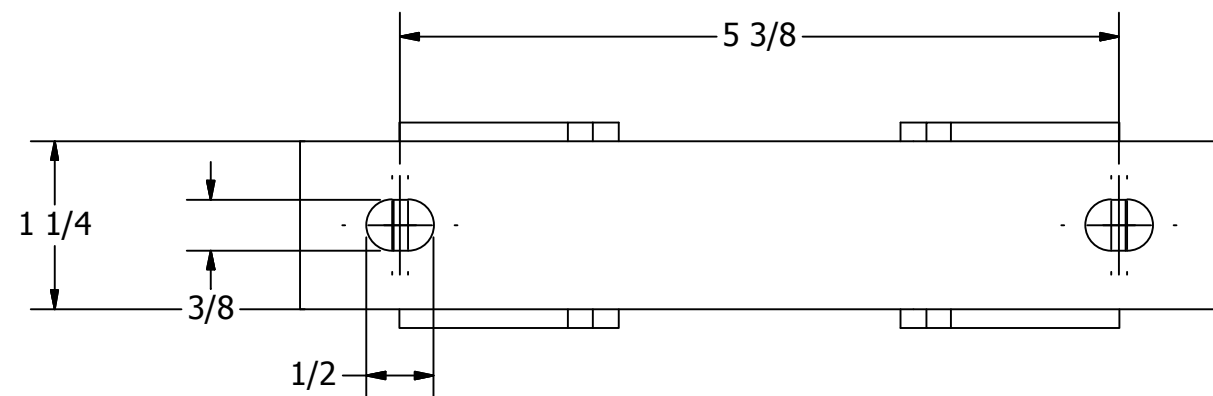

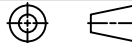


REVISIONS			
REV	DESCRIPTION	DATE	ECN
A	RELEASED TO PRODUCTION	5/18/2012	15509



ISOMETRIC VIEW



FILE: BK-208768.ipt.iam	SIZE: B	REV: A	 KOCSIS TECHNOLOGIES, INC. 11755 South Austin Ave. Alsip, IL 60803 Division of Kocsis Brothers Machine Co.	
DO NOT SCALE DRAWING			A40 BRACKET	
TOLERANCES: 0.X = ± 0.XX = ± 0.XXX = ± ANGLES ± FINISH (RMS):			THIS DRAWING AND ALL INFORMATION THEREON IS THE PROPERTY OF KTI AND SHALL NOT BE USED, COPIED OR REPRODUCED WITHOUT THE WRITTEN CONSENT OF KOCSIS TECHNOLOGIES. DESIGN AND INVENTION RIGHTS ARE RESERVED.	
ALL DIMENSIONS IN INCHES UNLESS OTHERWISE SPECIFIED			DRWN BY: JDA	PART NUMBER: BK-208768
THIRD ANGLE PROJECTION 			SCALE: NTS	DATE: 5/18/2012
WEIGHT: 0.6 LBS/FT			SHEETS: 1	OF 1