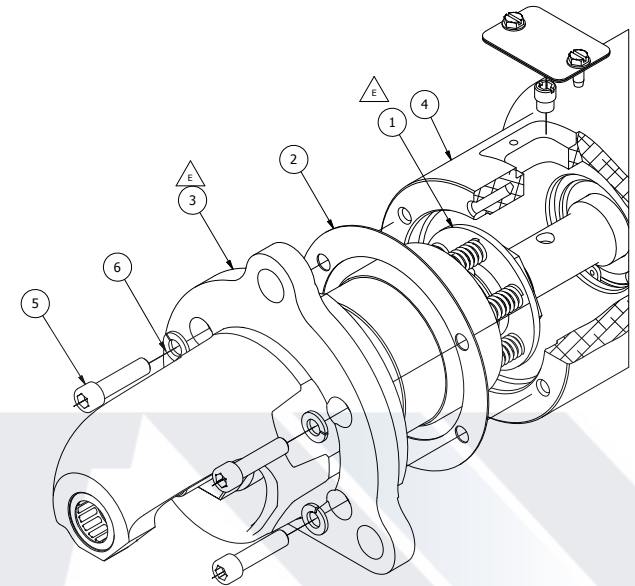
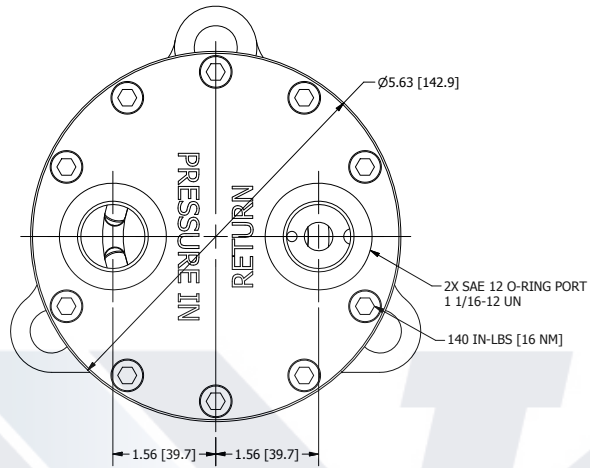
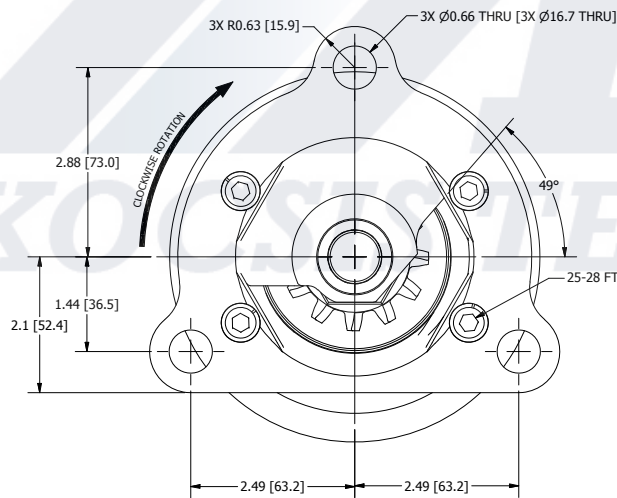


PARTS LIST			
ITEM	QTY	PART NUMBER	DESCRIPTION
1	1	DV-208030	DRIVE ASSEMBLY- CW
2	1	GA-207691	PINION HOUSING GASKET
3	1	HG-208842	PINION HOUSING ASSEMBLY - SAE 3-RH
4	1	HM-206880	HYDRAULIC MOTOR ASSEMBLY - CW
5	4	SC-100196	SOCKET HEAD CAP SCREW
6	4	WA-6-10BL	LOCK WASHER

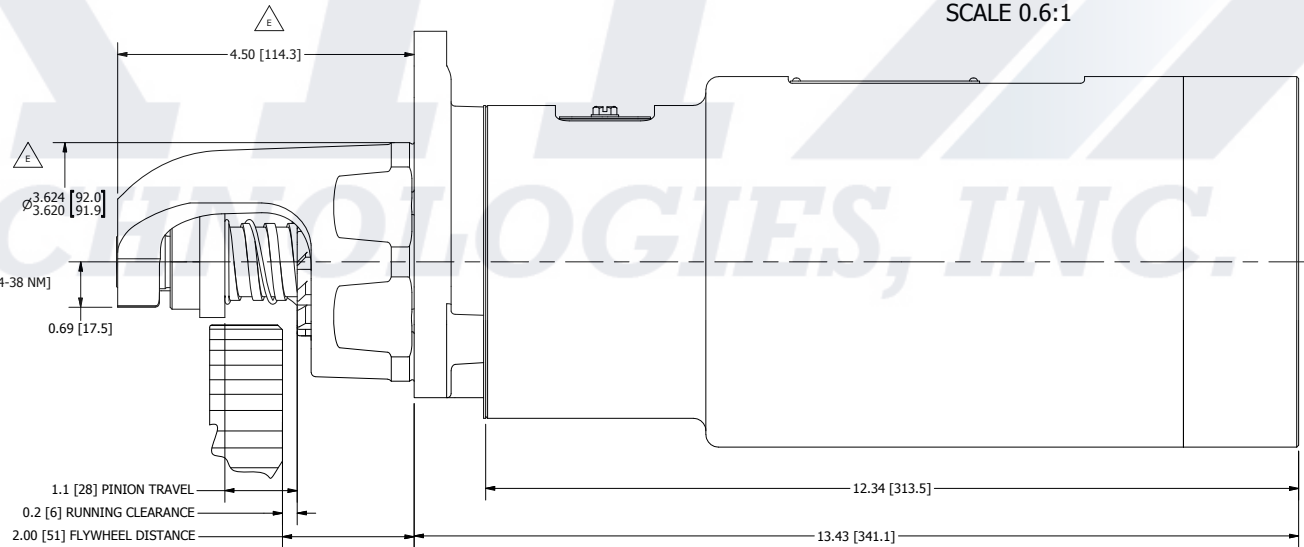
REVISIONS		
REV	DESCRIPTION	DATE
E	SEE ECH	11/20/2013



ASSEMBLY DETAIL VIEW
SCALE 0.6:1



MODIFIED SAE 3 FLANGE



1.1 [28] PINION TRAVEL
0.2 [6] RUNNING CLEARANCE
2.00 [51] FLYWHEEL DISTANCE

REFERENCE DATA:
1). CUMMINS QSK45
2). LEFT-HAND VERSION MOUNTED ON RIGHT SIDE WHEN VIEWING FROM FLYWHEEL

CW E SERIES PERFORMANCE DATA	
DISPLACEMENT	5.88 IN ³ /REV [96.3 CM ³]
DUTY CYCLE	INTERMITTENT
MAX TORQUE	200 FT-LBS [271 NM]
MAX WORKING PRESSURE	3000 PSI [207 BAR]
SPEED RANGE	0-3000 RPM
ROTATION	(CW)

DV-208030 DATA	
NUMBER OF TEETH	12
OUTSIDE DIA.	2.25 [5.7 mm]
(PITCH DIA.)	2.00 [5 mm]
PITCH	6/8
PRESSURE ANGLE	20°
(ROOT DIA.)	1.72 [4.4 mm]

UNLESS OTHERWISE SPECIFIED:

TOLERANCES:
 $\varnothing X \pm$
 $0.XX \pm$
 $0.XXX \pm$
 ANGLES = \pm
 $\sqrt{\text{FINISH}}$
 FRACTION = \pm

INDICATES REFERENCE TO A NOTE
 \triangle INDICATES REFERENCE TO A REVISION
 \circ INDICATES REFERENCE TO BOM NUMBERS NOT SHOWN DO NOT APPLY

THIRD ANGLE PROJECTION:



HYDROTOR® ASSEMBLY

PART NUMBER: E1-12C2200-3R200

MATERIAL: SEE PART LIST
 SCALE: NTS WEIGHT: 41.2 LBS CODE: 7/6/2013

APPROVED BY: JAGUILERA 7/17/2013
 THIS DOCUMENT AND ALL ACCOMPANYING INFORMATION AND DATA ARE AND REMAIN THE PROPERTY OF KOCSIS TECHNOLOGIES AND SHALL NOT BE USED, COPIED OR REPRODUCED WITHOUT THE WRITTEN CONSENT OF KOCSIS TECHNOLOGIES. DESIGN AND INVENTION RIGHTS ARE RESERVED.
 FILENAME: E1-12C2200-3R200.DWG SHEET 1 OF 1

LEGACY KTI P/N: CW-E-5A-230