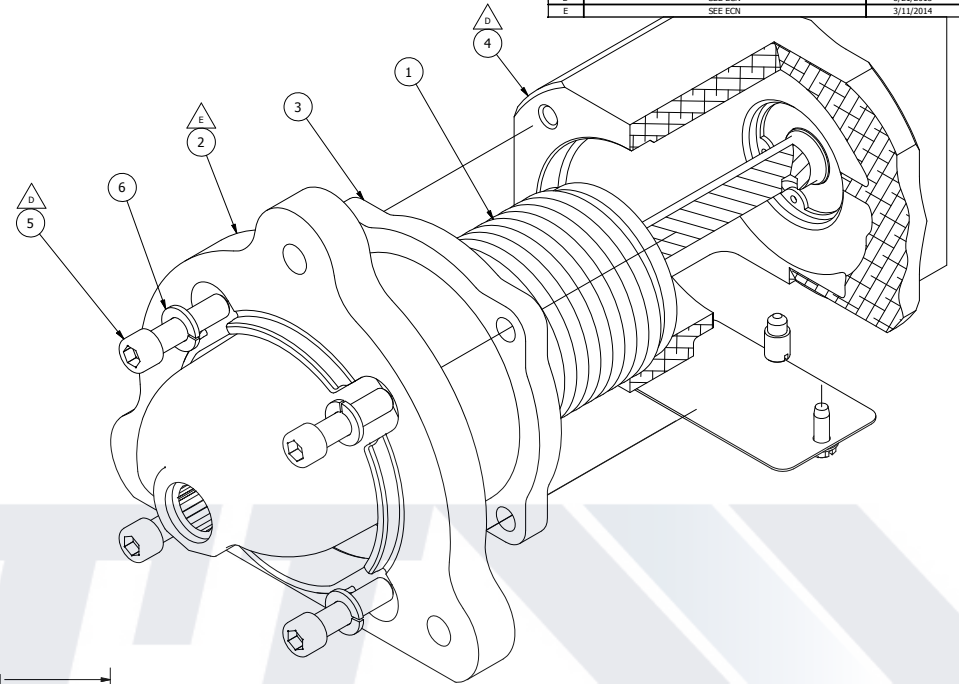
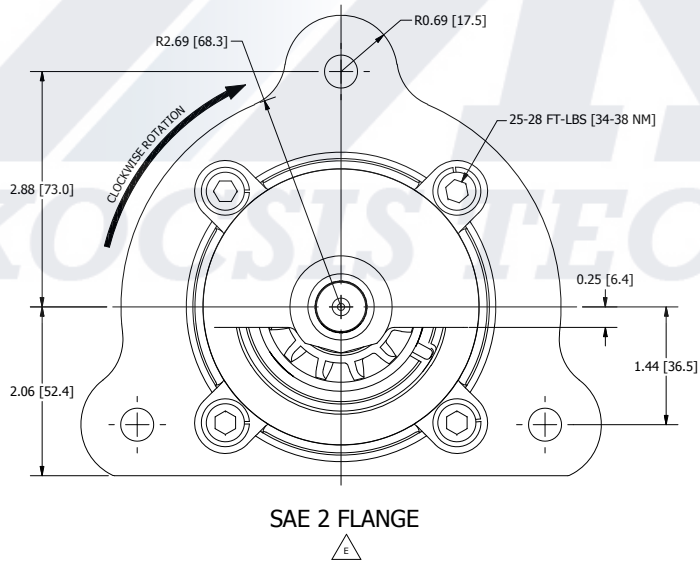
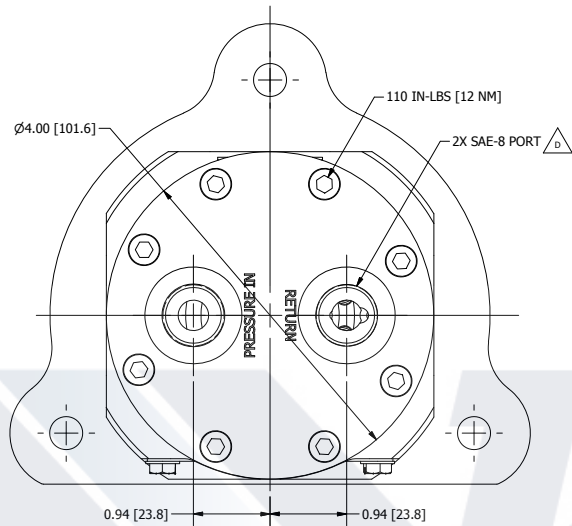
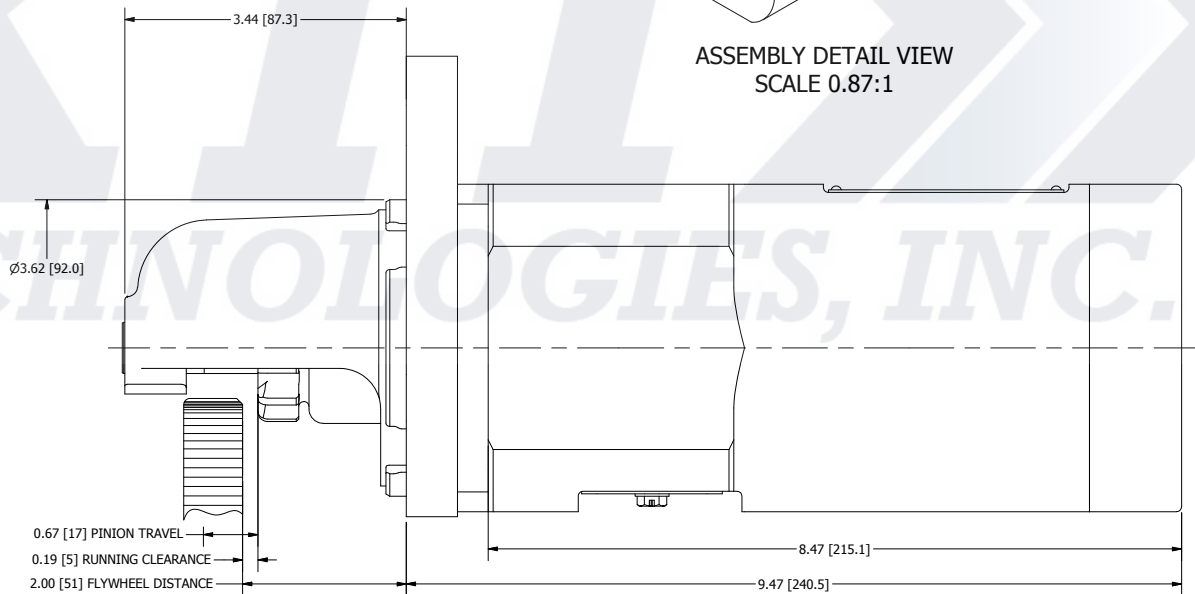


PARTS LIST			
ITEM	QTY	PART NUMBER	DESCRIPTION
1	1	DV-206676	DRIVE ASSEMBLY - CW
2	1	FL-200543	MOUNTING FLANGE - SAE 2
3	1	HG-200541	PINION HOUSING ASSEMBLY - A/B SERIES
4	1	HM-200584	HYDRAULIC MOTOR ASSEMBLY - CW
5	4	SC-100196	SOCKET HEAD CAP SCREW
6	4	WA-6-10BL	LOCK WASHER

REVISIONS		
REV	DESCRIPTION	DATE
D	SEE ECN	8/21/2013
E	SEE ECN	3/11/2014



ASSEMBLY DETAIL VIEW
SCALE 0.87:1



ENGINEERING REFERENCE DATA:

- FIRST USE: N/A
- SIMILAR TO: N/A

CW B SERIES PERFORMANCE DATA	
DISPLACEMENT	1.35 IN ³ /REV [22 CM ³]
DUTY CYCLE	INTERMITTENT
MAX TORQUE	45 FT-LBS [61 Nm]
MAX WORKING PRESSURE	3000 PSI [207 BAR]
SPEED RANGE	0-7000 RPM
ROTATION	(CW)

DV-206676 DATA	
NUMBER OF TEETH	12
OUTSIDE DIA. (PITCH DIA.)	1.83 [46 mm] 1.50 [38 mm]
PITCH	8/10
PRESSURE ANGLE (ROOT DIA.)	20° 1.38 [35 mm]

UNLESS OTHERWISE SPECIFIED:

TOLERANCES:	INDICATES REFERENCE TO A NOTE
0.X = ±	INDICATES REFERENCE TO A REVISION
0.XX = ±	INDICATES REFERENCE TO BOM
0.XXX = ±	NUMBERS NOT SHOWN DO NOT APPLY
ANGLES = ±	
FINISH =	
FRACTION = ±	

Kocsis Technologies, Inc.
11755 South Austin Ave. Alsip, IL 60803

HYDROTOR® ASSEMBLY

PART NUMBER:	B1-12D2150-2A200	REVISION:	E
--------------	------------------	-----------	---

NEUTRAL: SEE PARTS LIST

SCALE:	NTS	WEIGHT:	16.9 LBS	CODE:	
--------	-----	---------	----------	-------	--

THIS DOCUMENT AND ALL ACCOMPANYING INFORMATION AND DATA ARE AND REMAIN THE PROPERTY OF KOCSIS TECHNOLOGIES AND SHALL NOT BE USED, COPIED OR REPRODUCED WITHOUT THE WRITTEN CONSENT OF KOCSIS TECHNOLOGIES. DESIGN AND INVENTION RIGHTS ARE RESERVED.

LEGACY KTI P/N: CWA-308029-B