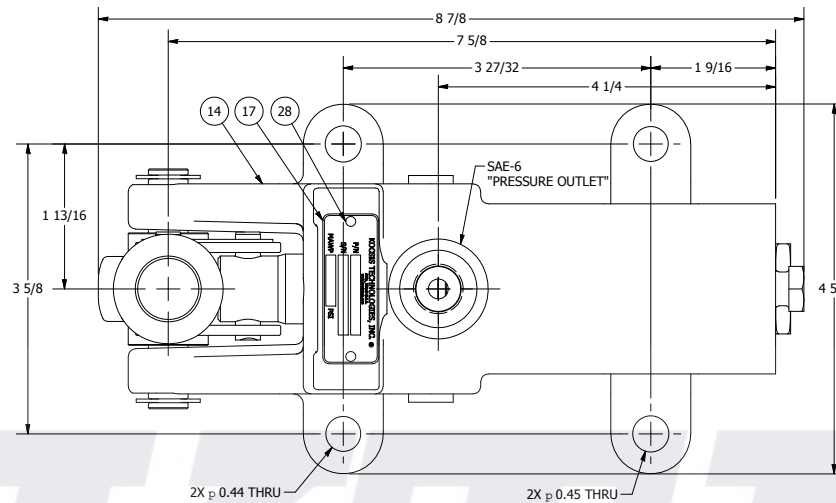
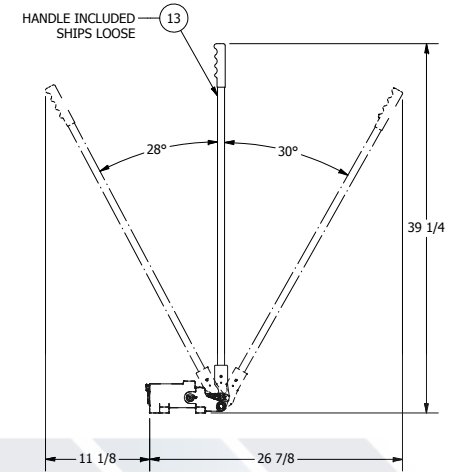


PARTS LIST			
ITEM	QTY	PART NUMBER	DESCRIPTION
1	2	1004252	HOLLOW HEX SAE -4 O-RING PLUG
2	1	BB-100210	BALL BEARING
3	2	BB-100211	BALL BEARING
4	1	BG-200603	GLAND
5	1	FI-202200	INLET FITTING
6	1	GA-100097	O-RING
7	1	GA-100108	O-RING
8	1	GA-100110	O-RING
9	1	GA-100111	O-RING
10	1	GA-100113	O-RING
11	1	GA-100213	O-RING
12	1	GA-100215	O-RING
13	1	HA-200610	HANDLE ASSEMBLY
14	1	HG-207520	HAND PUMP HOUSING
15	1	LE-202029	PUMP LEVER
16	1	LK-100464	RS80 CONNECTING LINK
17	1	NP-206164	NAMEPLATE
18	1	PC-200602	PLUNGER
19	1	PG-200604	PLUNGER PLUG
20	1	PG-208823	HOLLOW HEX HEAD PLUG
21	1	PN-202028	LEVER PIN
22	1	RG-100102	RETAINING RING
23	1	RG-100208	BACK-UP RING
24	1	RG-100209	BACK-UP RING
25	1	RG-100214	BACK-UP RING
26	2	RG-100465	RETAINING RING
27	1	RG-208226	BACK-UP RING
28	2	SC-150-2CA	NAME PLATE DRIVE SCREW
29	1	SC-200968	BLEED SCREW
30	2	SP-200605	SPRING

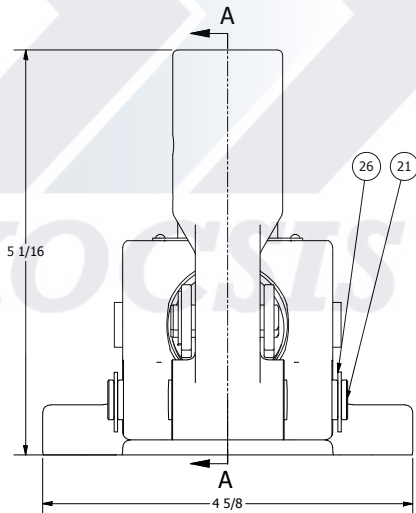
REVISIONS		
REV	DESCRIPTION	DATE
AA	SEE ECH	9/1/2015



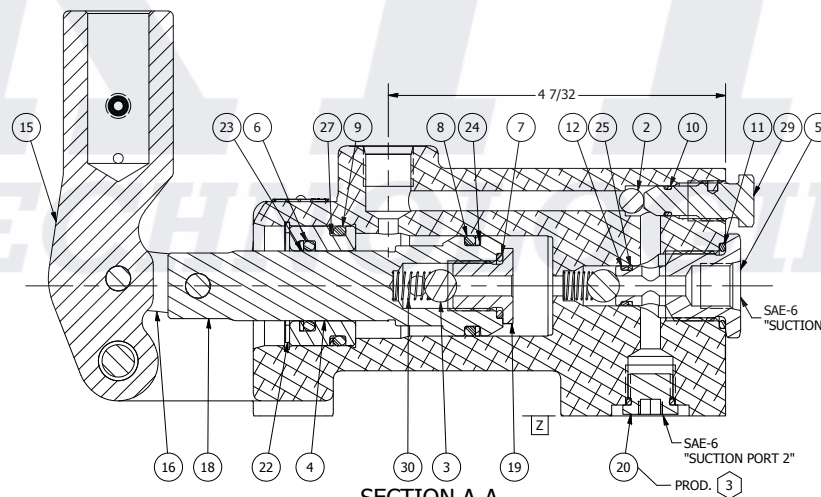
TOP VIEW



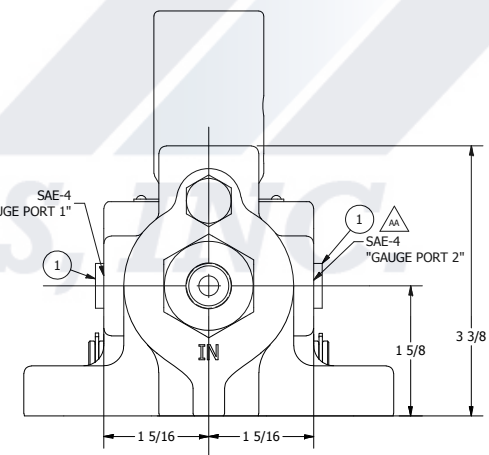
WORKING DIMENSIONS W/ HANDLE SHOWN



BACK VIEW - HANDLE NOT SHOWN ALL VIEWS



SECTION A-A



FRONT VIEW

- PRODUCTION NOTES:
 1). ASSEMBLE PER AS-300118
 2). TEST PER TS-41-5
 3). PLUG MUST BE FLUSH OR BENEATH -Z- SURFACE.

HPA PERFORMANCE DATA	
BORE	1.25 [31.75]
HANDLE FORCE (3000 PSI)	48.5 LBS
OUTPUT	1.22 IN ³ PER CYCLE
STROKE	1.00 [25.4] DOUBLE ACTING
WORKING PRESSURE	3000 PSI

UNLESS OTHERWISE SPECIFIED:

- TOLERANCES:**
 0.X = ±
 0.XX = ±
 0.XXX = ±
 ANGLES = ±
 √ FINISH =
 FRACTION = ±
- INDICATES REFERENCE TO A NOTE
 △ INDICATES REFERENCE TO A REVISION
 □ INDICATES REFERENCE TO BOM
 NUMBERS NOT SHOWN DO NOT APPLY
- THIRD ANGLE PROJECTION



HAND PUMP ASSEMBLY

PART NUMBER:	HPA-300118	REVISION:	AA
--------------	------------	-----------	----

MATERIAL: SEE PARTS LIST

SCALE: NTS WEIGHT: 10 LBS CODE:

REMOVE ALL BURRS, BREAK SHARP EDGES R0.03 MAX
 INTERPRET DIMENSIONS AND TOLERANCES IN ACCORDANCE WITH ASME Y14.5
 SURFACE FINISH SHALL BE IN ACCORDANCE WITH ASME B46.1
 ALL DIMENSIONS IN INCHES UNLESS OTHERWISE SPECIFIED. METRIC DIMENSIONS ARE INDICATED BY []

APPROVED BY: J.MEDVID
 DATE: 8/12/2015
 FILENAME: HPA-300118.dwg
 SHEET 1 OF 1