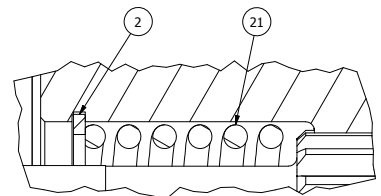
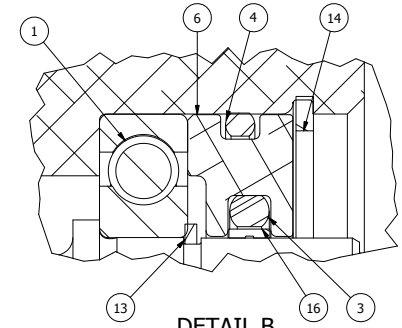


PARTS LIST			
ITEM	QTY	PART NUMBER	DESCRIPTION
1	1	BB-100083	BALL BEARING
2	1	BC-208821	BARREL
3	1	GA-100088	O-RING
4	1	GA-100104	O-RING
5	1	HG-208862	MOTOR HOUSING SUB-ASSEMBLY
6	1	HP-203078	SEAL HOLDING PIECE
7	1	IF-208280	WARNING TAG
8	1	KY-2-5	WOODRUFF KEY
9	1	NP-403878	NAMEPLATE
10	1	PL-208693	PORT PLATE SUB-ASSEMBLY
11	1	PL-208699	ACCESS PLATE
12	7	PT-208836	PISTON
13	1	RG-100039	RETAINING RING
14	1	RG-100041	RETAINING RING
15	1	RG-100527	RETAINING RING
16	1	RG-1136	SLIPPER SEAL
17	2	SC-100320	THREAD CUTTING SCREW
18	2	SC-150-2CA	NAME PLATE DRIVE SCREW
19	8	SC-208635	SOCKET HEAD CAP SCREW
20	1	SH-202815	DRIVE SHAFT
21	1	SP-202166	SPRING

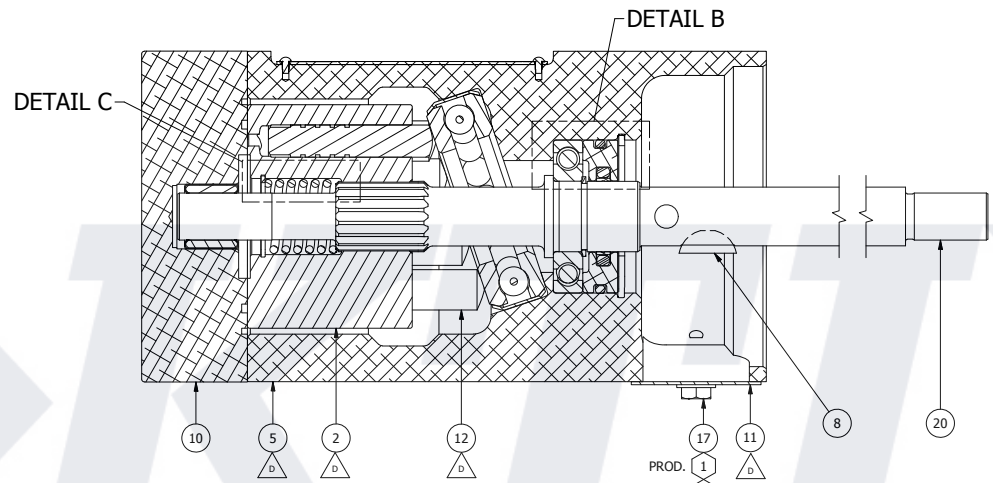
REVISIONS		
REV	DESCRIPTION	DATE
D	SEE ECH	8/23/2013



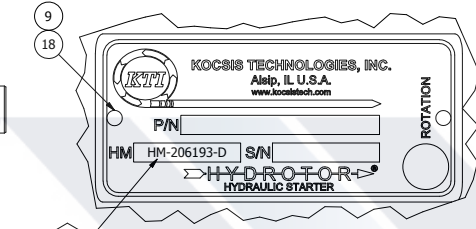
DETAIL C  
SCALE 3: 1



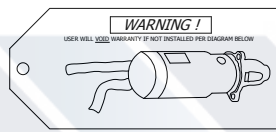
DETAIL B  
SCALE 3: 1



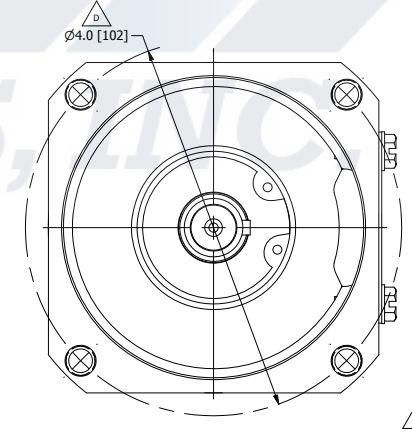
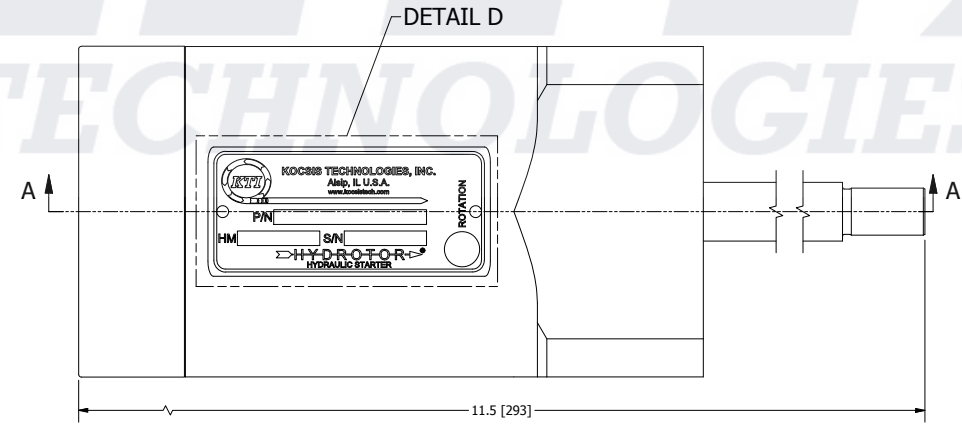
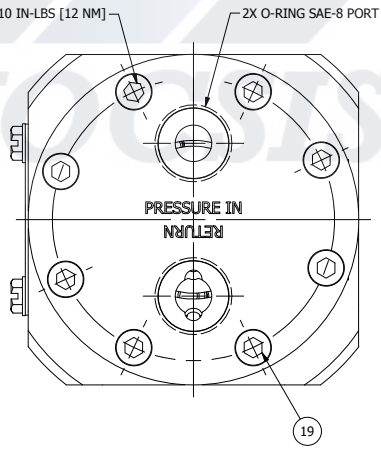
SECTION A-A



DETAIL D  
SCALE 1.3:1



IF-208280  
SCALE: 0.5 : 1



**PRODUCTION NOTES:**  
 1). DO NOT ASSEMBLE ACCESS PLATE ONTO HOUSING UNTIL FINAL HYDROTOR ASSEMBLY.  
 2). ATTACH WARNING TAG USING ACCESS PLATE SCREW DURING FINAL HYDROTOR ASSEMBLY.  
 3). SEE DETAIL D FOR NAMEPLATE MARKING INSTRUCTIONS.

CW A SERIES PERFORMANCE DATA	
DISPLACEMENT	0.50 IN <sup>3</sup> /REV [8.2 CM <sup>3</sup> ]
DUTY CYCLE	INTERMITTENT
MAX TORQUE	15 FT-LBS [20 Nm]
MAX WORKING PRESSURE	3000 PSI [207 BAR]
SPEED RANGE	0-7000 RPM
ROTATION	(CW)

**UNLESS OTHERWISE SPECIFIED:**

**TOLERANCES:**  
 0.X = ±  
 0.XX = ±  
 0.XXX = ±  
 ANGLES = ±  
 √ FINISH =  
 FRACTION = ±

**INDICATES REFERENCE TO A NOTE**  
 △ INDICATES REFERENCE TO A REVISION

**INDICATES REFERENCE TO BOM**  
 NUMBERS NOT SHOWN DO NOT APPLY

**TUB ANGLE PROJECTION:**

**REMOVE ALL BURRS; BREAK SHARP EDGES R0.03 MAX**  
 \* INTERPRET DIMENSIONS AND TOLERANCES IN ACCORDANCE WITH ASME Y14.5  
 † SURFACE FINISH SHALL BE IN ACCORDANCE WITH ASME B46.1  
 ‡ ALL DIMENSIONS IN INCHES UNLESS OTHERWISE SPECIFIED.  
 § METRIC DIMENSIONS ARE INDICATED BY [ ]

**KOCSIS TECHNOLOGIES, INC.**  
 11755 South Austin Ave. Aliso Viejo, CA 92653

**HYDRAULIC MOTOR ASSEMBLY - CW**

PART NUMBER: **HM-206193** REVISION: **D**

SCALE: **NTS** WEIGHT: **7.4 LBS** CODE: **SEE PARTS LIST**

DESIGNED BY: **J. KUJAK** DATE: **7/3/2013**  
 APPROVED BY: **T. PETERSON** DATE: **8/23/2013**  
 FILENAME: **HM-206193.dwg** SHEET: **1 OF 1**