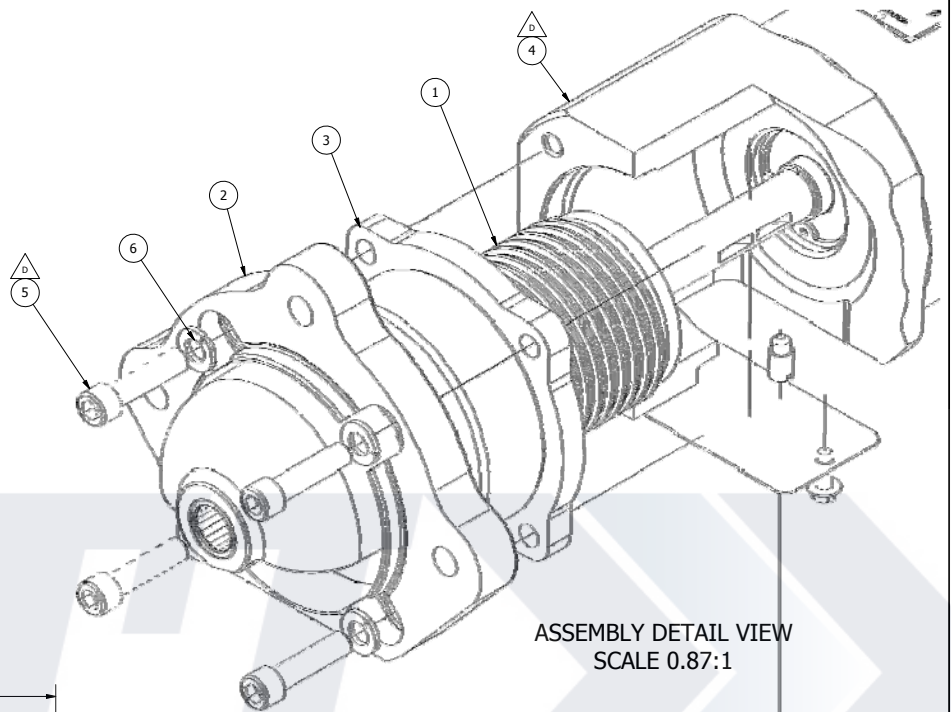
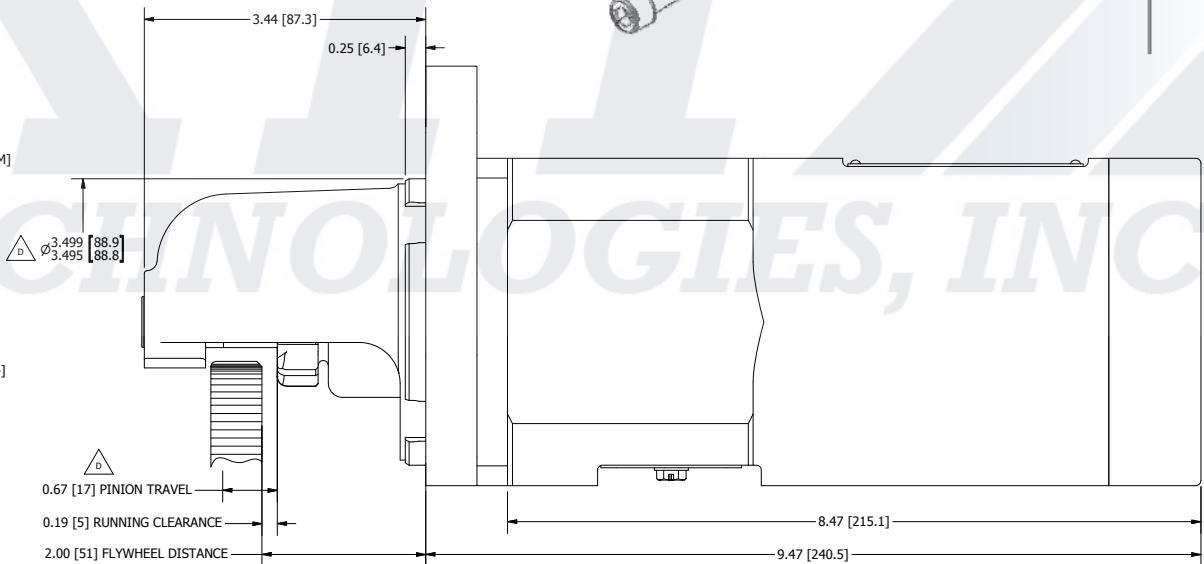
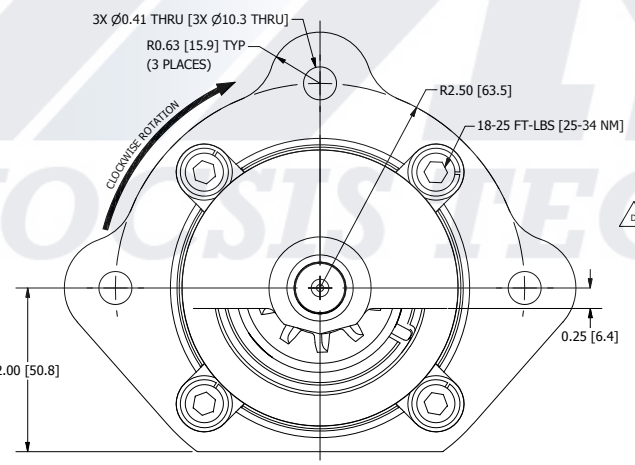
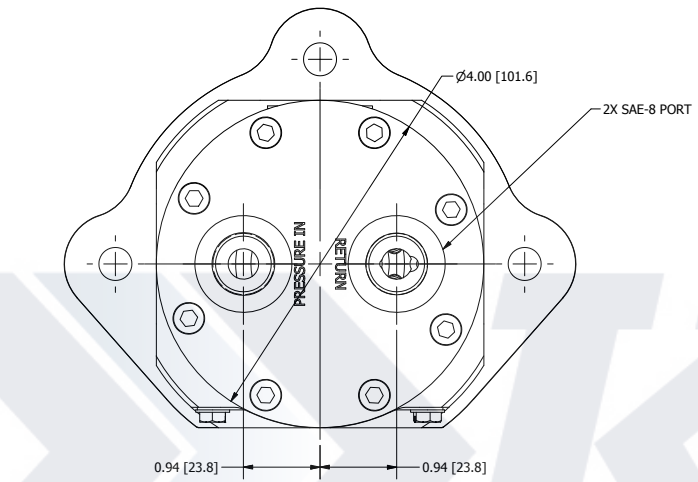


PARTS LIST			
ITEM	QTY	PART NUMBER	DESCRIPTION
1	1	DV-206670	SPRING DRIVE ASSEMBLY - CW
2	1	FL-200547	FLANGE - SAE 1
3	1	HG-200541	PINION HOUSING ASSEMBLY - A/B SERIES
4	1	HM-200584	HYDRAULIC MOTOR ASSEMBLY - CW
5	4	SC-100196	SOCKET HEAD CAP SCREW
6	4	WA-6-10BL	LOCK WASHER

REVISIONS		
REV	DESCRIPTION	DATE
D	SEE ECH	8/20/2013



CW B SERIES PERFORMANCE DATA	
DISPLACEMENT	1.35 IN ³ /REV [22 CM ³]
DUTY CYCLE	INTERMITTENT
MAX TORQUE	45 FT-LBS [61 Nm]
MAX WORKING PRESSURE	3000 PSI [207 BAR]
SPEED RANGE	0-7000 RPM
ROTATION	(CW)

DV-206670 DATA	
NUMBER OF TEETH	10
OUTSIDE DIA.	1.58 [40 mm]
(PITCH DIA.)	1.25 [32 mm]
PITCH	8/10
PRESSURE ANGLE	20°
(ROOT DIA.)	1.13 [29 mm]

UNLESS OTHERWISE SPECIFIED:

TOLERANCES:
 0.X = ±
 0.XX = ±
 0.XXX = ±
 ANGLES = ±
 FINISH =
 FRACTION = ±

INDICATES REFERENCE TO A NOTE
 INDICATES REFERENCE TO A REVISION
 INDICATES REFERENCE TO BOM NUMBERS NOT SHOWN DO NOT APPLY

TURBOANGLE PROJECTION:

REMOVE ALL BURRS; BREAK SHARP EDGES 0.03 MAX
 INTERPRET DIMENSIONS AND TOLERANCES IN ACCORDANCE WITH ASME Y14.5
 SURFACE FINISH SHALL BE IN ACCORDANCE WITH ASME B46.1
 ALL DIMENSIONS IN INCHES UNLESS OTHERWISE SPECIFIED. METRIC DIMENSIONS ARE INDICATED BY [].

Kocsis TECHNOLOGIES, INC.
 11755 South Austin Ave. Alsip, IL 60803

HYDROTOR® ASSEMBLY

PART NUMBER: **B1-10D2125-1A200** REVISION: **D**

MATERIAL: **SEE PARTS LIST**

SCALE: **NTS** WEIGHT: **16.5 LBS** CODE:

THIS DOCUMENT AND ALL ACCOMPANYING INFORMATION AND DATA ARE AND REMAIN THE PROPERTY OF KOCISIS TECHNOLOGIES AND SHALL NOT BE USED, COPIED OR REPRODUCED WITHOUT THE WRITTEN CONSENT OF KOCISIS TECHNOLOGIES. DESIGN AND INVENTION RIGHTS ARE RESERVED.

ENGINEER: J. KUJAK
 APPROVED BY: J. KUJAK
 8/20/2013

LEGACY KTI P/N: CWA-308002-8