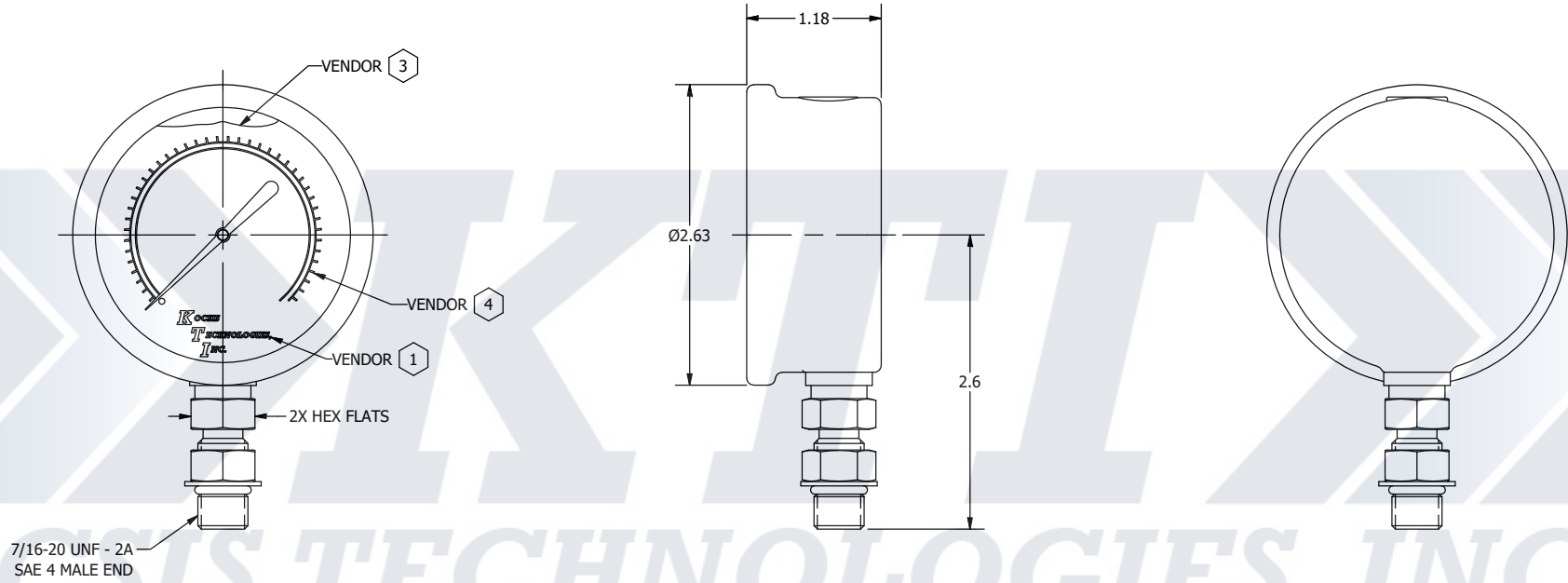




REVISIONS		
REV	DESCRIPTION	DATE
A	SEE ECN	11/18/2015



7/16-20 UNF - 2A
SAE 4 MALE END

- VENDOR NOTES:**
- 1). PRINT READY DIGITAL ARTWORK VAULTED FILE NAME: 'GG-200656, GG-208820 PRESSURE GAUGE ARTWORK.JPG'.
 - 2). GLYCERIN FILLED SUITABLE FOR USE FROM -40 °F TO +180 °F.
 - 3). ALUMINUM DIAL WITH BLACK NUMERALS ON WHITE BACKGROUND 0-5000 PSI / 0-345 BAR DUAL SCALE.
 - 4). STAINLESS STEEL CASE.
 - 5). ACCURACY OF GAUGE IS +/- 1.6% OF SPAN IN MIDDLE HALF OF SCALE.

UNLESS OTHERWISE SPECIFIED:		 KOCISIS TECHNOLOGIES, INC. 11755 South Austin Avenue • Alsip, IL 60803							
TOLERANCES: 0.X = ± 0.03 0.XX = ± 0.010 0.XXX = ± 0.005 ANGLES = ± 2 √ FINISH = 125 FRACTION = 1/16	○ INDICATES REFERENCE TO A NOTE △ INDICATES REFERENCE TO A REVISION ○ INDICATES REFERENCE TO BOM NUMBERS NOT SHOWN DO NOT APPLY	THIRD ANGLE PROJECTION: 							
<ul style="list-style-type: none"> • REMOVE ALL BURRS, BREAK SHARP EDGES R0.03 MAX • INTERPRET DIMENSIONS AND TOLERANCES IAW ASME Y14.5 • SURFACE FINISH SHALL BE IAW ASME B 46.1 • ALL DIMENSIONS IN INCHES UNLESS OTHERWISE SPECIFIED. METRICS DIMENSIONS ARE INDICATED BY []. 		MATERIAL: STAINLESS STEEL							
SCALE: NTS WEIGHT: 1.4 LBS CODE:		PART NUMBER: GG-208820 REVISION: A							
<small>THIS DOCUMENT AND ALL ACCOMPANYING INFORMATION AND DATA ARE AND REMAIN THE PROPERTY OF KOCISIS TECHNOLOGIES AND SHALL NOT BE USED, COPIED OR REPRODUCED WITHOUT THE WRITTEN CONSENT OF KOCISIS TECHNOLOGIES. DESIGN AND INVENTION RIGHTS ARE RESERVED.</small>		<table border="1"> <tr> <td>ENGINEER: J.MEDVID</td> <td>11/18/2015</td> </tr> <tr> <td>APP'D BY: J.KUJAK</td> <td>11/18/2015</td> </tr> <tr> <td colspan="2" style="text-align: center;"><small>FILENAME: GG-208820.dwg</small></td> </tr> </table>		ENGINEER: J.MEDVID	11/18/2015	APP'D BY: J.KUJAK	11/18/2015	<small>FILENAME: GG-208820.dwg</small>	
ENGINEER: J.MEDVID	11/18/2015								
APP'D BY: J.KUJAK	11/18/2015								
<small>FILENAME: GG-208820.dwg</small>									